



accessories for position switch 3SE51/52, M12 plug 5-pole, for M20 x 1.5, Pin1=brown cable, Pin2= white cable, Pin3= yellow-green cable, Pin4= black cable, Pin5= gray cable, suitable for wiring of sensors for connection to all SIMATIC ET 200 compact block I/O modules

General technical data	
product brand name	SIRIUS
operational current at 40 °C rated value	4 A
operating voltage rated value	60 V
number of poles	5
insulation resistance	100 MΩ
ambient temperature during operation	-40 ... +85 °C
connector coding of the M12 circular connector	A - Standard
type of electrical connection	connector M12
color coding of the core	pin 1 = BN, pin 2 = WH, pin 3 = GN/YE, pin 4 = BK, pin 5 = GY
overvoltage category	2
degree of pollution	3
protection class IP	IP67
material	
• of the contact	CuSn
• of contact coating	Au
• of contact main body	PA

Certificates/ approvals	
General Product Approval	other



[Confirmation](#)

[Confirmation](#)



Environment

[Environmental Confirmations](#)

Further information

- Information on the packaging <https://support.industry.siemens.com/cs/ww/en/view/109813875>
- Information for data generation and storage <https://support.industry.siemens.com/cs/ww/en/view/109995012>
- Information- and Downloadcenter (Catalogs, Brochures,...) <https://www.siemens.com/ic10>
- Industry Mall (Online ordering system) <https://mall.industry.siemens.com/mall/en/en/Catalog/product?mlfb=3SX5100-1SS51>

Cax online generator

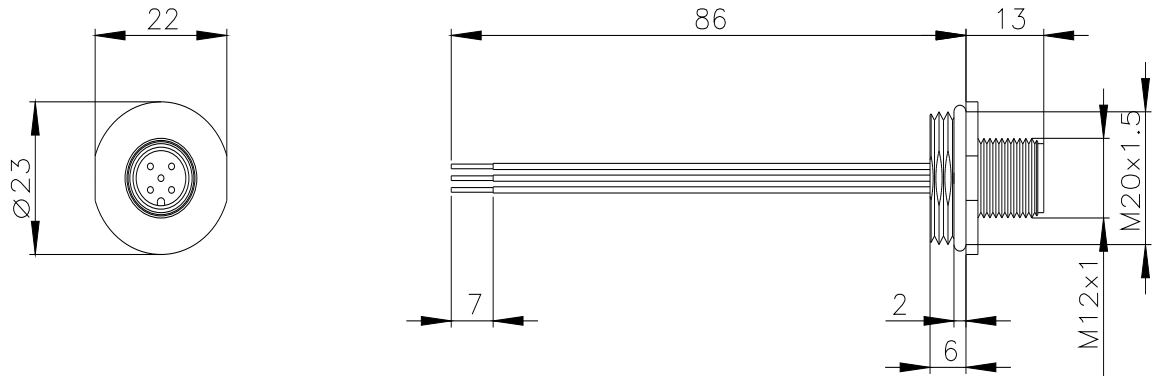
<https://support.automation.siemens.com/WW/CAXorder/default.aspx?lang=en&mlfb=3SX5100-1SS51>

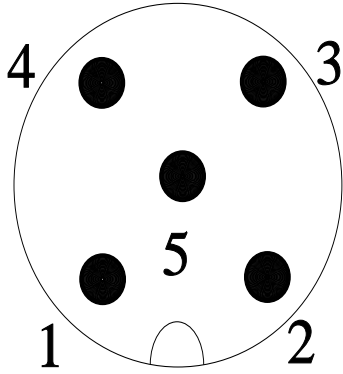
Service&Support (Manuals, Certificates, Characteristics, FAQs,...)

<https://support.industry.siemens.com/cs/ww/en/ps/3SX5100-1SS51>

Image database (product images, 2D dimension drawings, 3D models, device circuit diagrams, EPLAN macros, ...)

https://www.automation.siemens.com/bilddb/cax_de.aspx?mlfb=3SX5100-1SS51&lang=en





1	BN = Brown
2	WH = White
3	GN/YE = Green/Yellow
4	BK = Black
5	GY = Grey

last modified:

10/22/2025 