







Adapter for installation of actuators and signaling units, 22 mm, in a mounting drill hole 30.5 mm, Metal, matte, with seal

product brand name	SIRIUS ACT
product designation	Adapter
design of the product	for 30.5 mm to 22.5 mm mounting hole
product type designation	3SU1
General technical data	
protection class IP	IP66, IP67, IP69(IP69K)
Substance Prohibittance (day/month/year)	10/01/2014
Net Weight	32 g
Ambient conditions	
ambient temperature	
• during operation	-25 ... +70 °C
• during storage and transport	-40 ... +80 °C
Installation/ mounting/ dimensions	
height	40 mm
width	38 mm
mounting height	4.6 mm
Accessories	
material of accessory	Metal matt
color of accessory	sand gray

Approvals Certificates

Environment	General Product Approval	Test Certificates	Maritime application
Environmental Conformations		 EG-Konf.	
		Type Test Certificates/Test Report	

Maritime application	other
 LRS	 PRR
 RINA	Confirmation
	

Further information

Information on the packaging
<https://support.industry.siemens.com/cs/ww/en/view/109813875>
 Information for data generation and storage
<https://support.industry.siemens.com/cs/ww/en/view/109995012>
 Information- and Downloadcenter (Catalogs, Brochures,...)

<https://www.siemens.com/ic10>

Industry Mall (Online ordering system)

<https://mall.industry.siemens.com/mall/en/en/Catalog/product?mlfb=3SU1960-0KB10-0AA0>

Cax online generator

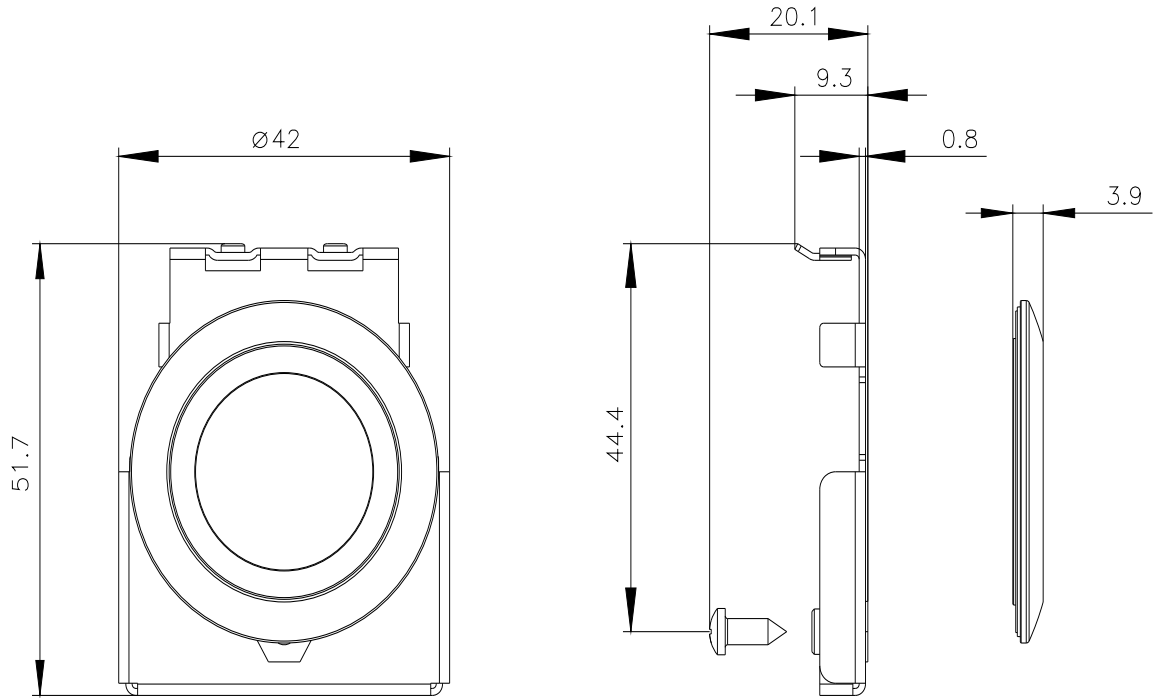
<https://support.automation.siemens.com/WW/CAXorder/default.aspx?lang=en&mlfb=3SU1960-0KB10-0AA0>

Service&Support (Manuals, Certificates, Characteristics, FAQs,...)

<https://support.industry.siemens.com/cs/ww/en/en/ps/3SU1960-0KB10-0AA0>

Image database (product images, 2D dimension drawings, 3D models, device circuit diagrams, EPLAN macros, ...)

https://www.automation.siemens.com/bilddb/cax_de.aspx?mlfb=3SU1960-0KB10-0AA0&lang=en



last modified:

4/2/2025 