





	Sealing plug for Free control points, 30 mm, Metal matt, sand gray
product brand name	SIRIUS ACT
product designation	Sealing plug
product type designation	3SU1
Actuator	
shape of the actuating element	round
outer diameter of the actuating element	38 mm
General technical data	
protection class IP	IP66, IP67, IP69(IP69K)
degree of protection NEMA rating	1, 2, 3, 3R, 4, 4X, 12
reference code according to IEC 81346-2	S
Substance Prohibitance (day/month/year)	10/01/2014
Net Weight	70 g
Ambient conditions	
ambient temperature	
• during operation	70 ... -25 °C
• during storage and transport	-40 ... +80 °C
environmental category during operation according to IEC 60721	3M6, 3S2, 3B2, 3C3, 3K6 (with relative air humidity of 10 ... 95%)
Installation/ mounting/ dimensions	
shape of the installation opening	round
mounting diameter	30.5 mm
positive tolerance of installation diameter	0.4 mm
mounting height	5.3 mm
installation width	38 mm
installation depth	31.3 mm
Accessories	
material of accessory	Metal matt
color of accessory	sand gray

Approvals Certificates				
-------------------------------	--	--	--	--

Environment	General Product Approval	Test Certificates	Maritime application
Environmental Confirmations			
		Type Test Certificates/Test Report	

Maritime application	other
	
	

Further information

Information on the packaging
<https://support.industry.siemens.com/cs/ww/en/view/109813875>
 Information for data generation and storage
<https://support.industry.siemens.com/cs/ww/en/view/109995012>
 Information- and Downloadcenter (Catalogs, Brochures,...)
<https://www.siemens.com/ic10>
 Industry Mall (Online ordering system)
<https://mall.industry.siemens.com/mall/en/en/Catalog/product?mlfb=3SU1960-0FA80-0AA0>

Cax online generator

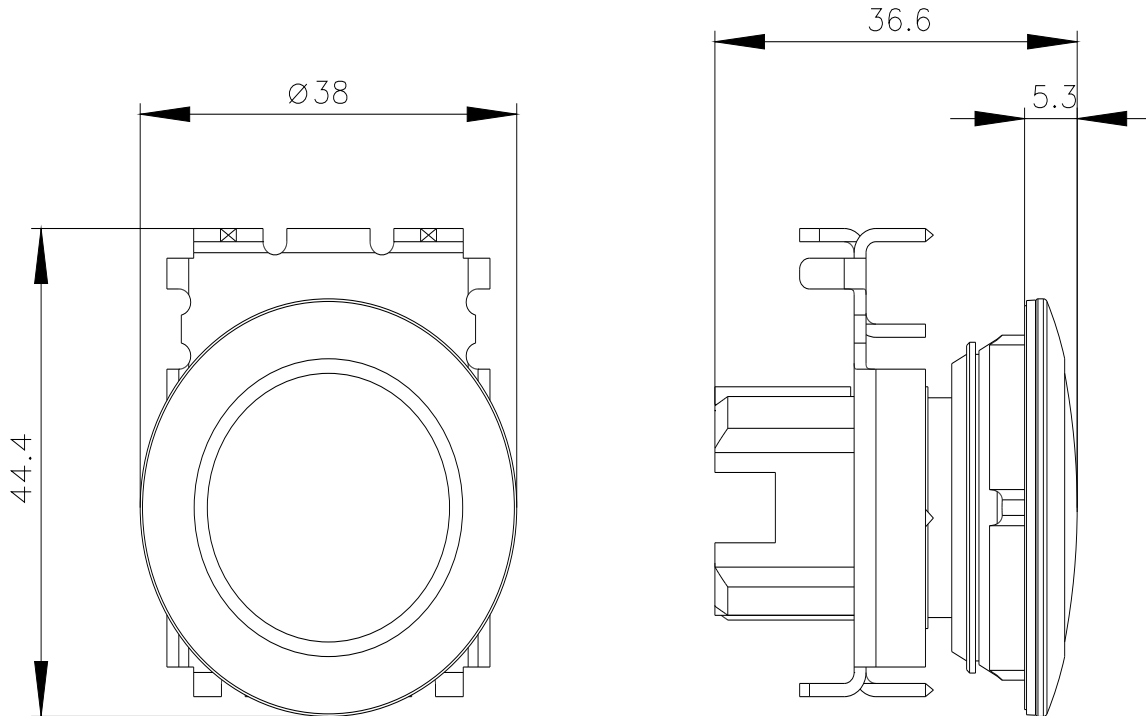
<https://support.automation.siemens.com/WW/CAXorder/default.aspx?lang=en&mlfb=3SU1960-0FA80-0AA0>

Service&Support (Manuals, Certificates, Characteristics, FAQs,...)

<https://support.industry.siemens.com/cs/ww/en/ps/3SU1960-0FA80-0AA0>

Image database (product images, 2D dimension drawings, 3D models, device circuit diagrams, EPLAN macros, ...)

https://www.automation.siemens.com/bilddb/cax_de.aspx?mlfb=3SU1960-0FA80-0AA0&lang=en



last modified:

4/2/2025 