



Adapter for actuator and signaling units with front ring for flush installation, 30 mm

product brand name	SIRIUS ACT
product designation	Adapter
design of the product	for flat command devices
product type designation	3SU1

**General technical data**

protection class IP	IP66, IP67, IP69(IP69K)
Substance Prohibittance (day/month/year)	10/01/2014
Net Weight	15 g

**Ambient conditions**

ambient temperature	
<ul style="list-style-type: none"> <li>during operation</li> </ul>	-25 ... +70 °C
<ul style="list-style-type: none"> <li>during storage and transport</li> </ul>	-40 ... +80 °C

**Installation/ mounting/ dimensions**

height	43.7 mm
width	34.4 mm
installation depth	12.3 mm

**Accessories**

material of accessory	Metal
color of accessory	Silver

**Approvals Certificates**

Environmental Product Declaration	
<ul style="list-style-type: none"> <li>global warming potential [CO2 eq] / during manufacturing</li> </ul>	0.625 kg
<ul style="list-style-type: none"> <li>global warming potential [CO2 eq] / during operation</li> </ul>	0.235 kg
<ul style="list-style-type: none"> <li>global warming potential [CO2 eq] / after end of life</li> </ul>	-0.267 kg
<ul style="list-style-type: none"> <li>global warming potential [CO2 eq] / total</li> </ul>	0.593 kg

**Environment**      **General Product Approval**

[Environmental Confirmations](#)



General Product Approval	Test Certificates	Maritime application
--------------------------	-------------------	----------------------



[Type Test Certificates/Test Report](#)

[Special Test Certificate](#)



Maritime application other



[Confirmation](#)



#### Further information

Information on the packaging

<https://support.industry.siemens.com/cs/ww/en/view/109813875>

Information for data generation and storage

<https://support.industry.siemens.com/cs/ww/en/view/109995012>

Information- and Downloadcenter (Catalogs, Brochures,...)

<https://www.siemens.com/ic10>

Industry Mall (Online ordering system)

<https://mall.industry.siemens.com/mall/en/en/Catalog/product?mlfb=3SU1950-0KJ80-0AA0>

Cax online generator

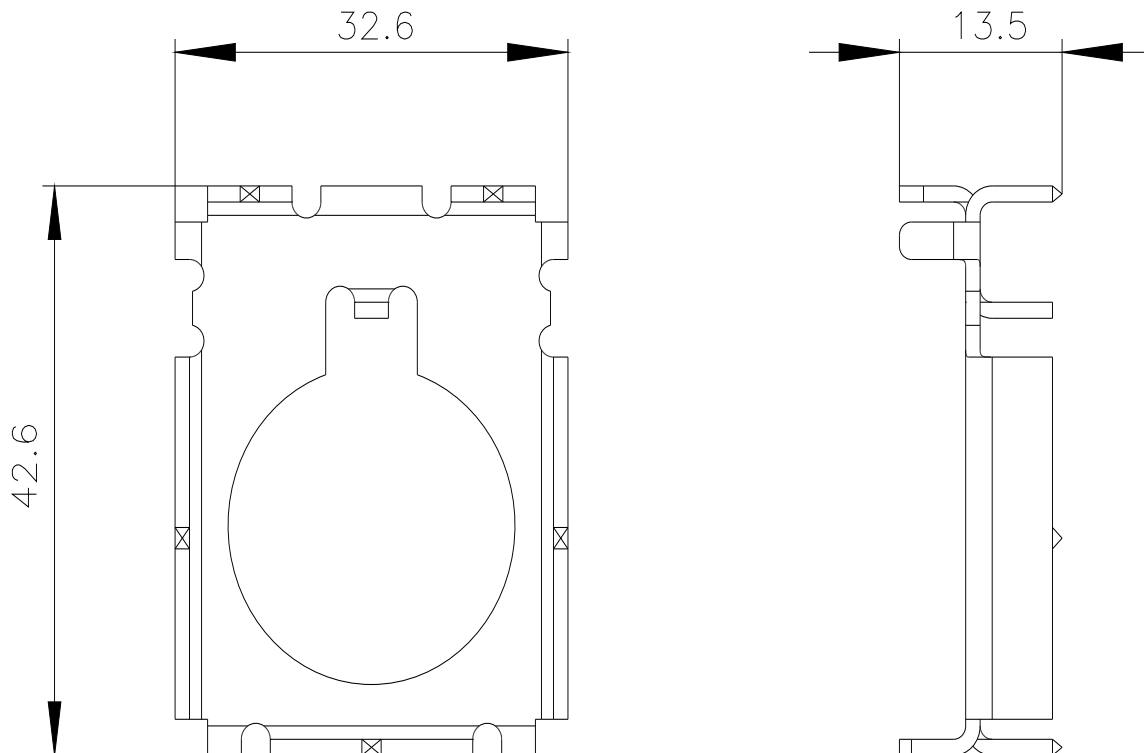
<https://support.automation.siemens.com/WW/CAXorder/default.aspx?lang=en&mlfb=3SU1950-0KJ80-0AA0>

Service&Support (Manuals, Certificates, Characteristics, FAQs,...)

<https://support.industry.siemens.com/cs/ww/en/ps/3SU1950-0KJ80-0AA0>

Image database (product images, 2D dimension drawings, 3D models, device circuit diagrams, EPLAN macros, ...)

[https://www.automation.siemens.com/bilddb/cax\\_de.aspx?mlfb=3SU1950-0KJ80-0AA0&lang=en](https://www.automation.siemens.com/bilddb/cax_de.aspx?mlfb=3SU1950-0KJ80-0AA0&lang=en)



last modified:

4/2/2025