



Adapter for installation of actuators and signaling units, 22 mm, in a mounting drill hole 30.5 mm, Metal, shiny, with seal



product brand name	SIRIUS ACT
product designation	Adapter
design of the product	for 30.5 mm to 22.5 mm mounting hole
product type designation	3SU1

### General technical data

protection class IP	IP66, IP67, IP69(IP69K)
Substance Prohibittance (day/month/year)	10/01/2014
Net Weight	32 g

### Ambient conditions

ambient temperature	
<ul style="list-style-type: none"> <li>during operation</li> </ul>	-25 ... +70 °C
<ul style="list-style-type: none"> <li>during storage and transport</li> </ul>	-40 ... +80 °C

### Installation/ mounting/ dimensions

height	40 mm
width	38 mm
mounting height	4.6 mm

### Accessories

material of accessory	Metal shiny
color of accessory	Silver

### Approvals Certificates

Environmental Product Declaration	
<ul style="list-style-type: none"> <li>global warming potential [CO2 eq] / during manufacturing</li> </ul>	0.625 kg
<ul style="list-style-type: none"> <li>global warming potential [CO2 eq] / during operation</li> </ul>	0.235 kg
<ul style="list-style-type: none"> <li>global warming potential [CO2 eq] / after end of life</li> </ul>	-0.267 kg
<ul style="list-style-type: none"> <li>global warming potential [CO2 eq] / total</li> </ul>	0.593 kg

### Environment General Product Approval

[Environmental Con-  
firmations](#)



General Product Approval	Test Certificates	Maritime application
--------------------------	-------------------	----------------------



[Type Test Certificates/Test Report](#)



other

[Confirmation](#)



#### Further information

Information on the packaging

<https://support.industry.siemens.com/cs/ww/en/view/109813875>

Information for data generation and storage

<https://support.industry.siemens.com/cs/ww/en/view/109995012>

Information- and Downloadcenter (Catalogs, Brochures,...)

<https://www.siemens.com/ic10>

Industry Mall (Online ordering system)

<https://mall.industry.siemens.com/mall/en/en/Catalog/product?mlfb=3SU1950-0KB10-0AA0>

Cax online generator

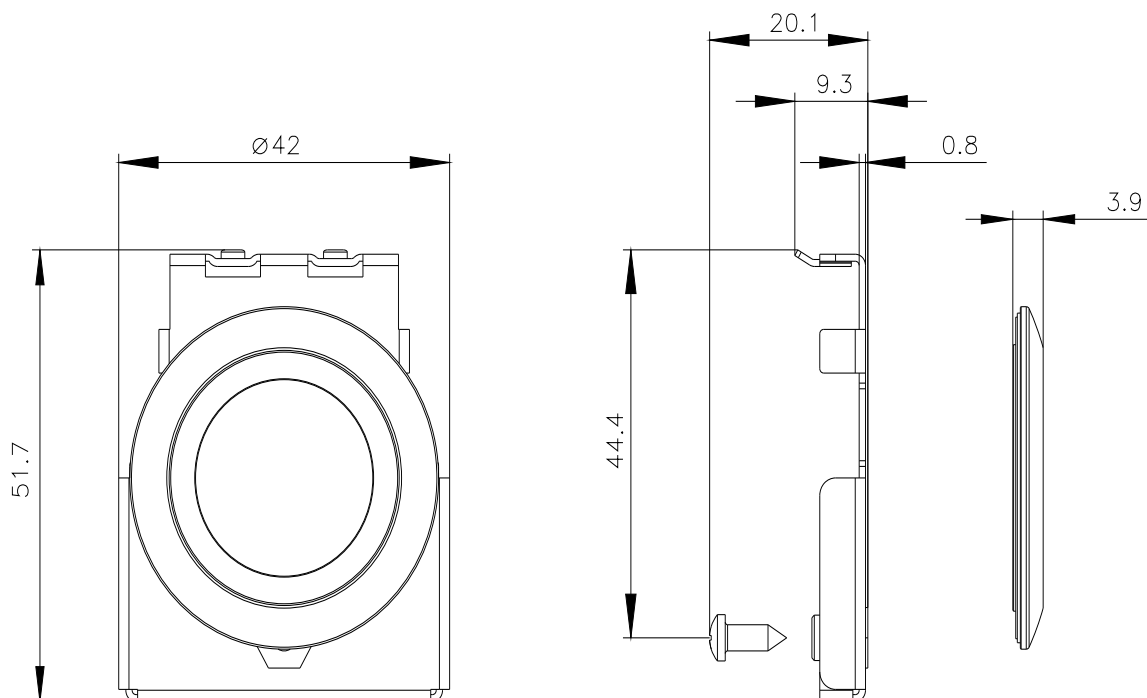
<https://support.automation.siemens.com/WW/CAXorder/default.aspx?lang=en&mlfb=3SU1950-0KB10-0AA0>

Service&Support (Manuals, Certificates, Characteristics, FAQs,...)

<https://support.industry.siemens.com/cs/ww/en/ps/3SU1950-0KB10-0AA0>

Image database (product images, 2D dimension drawings, 3D models, device circuit diagrams, EPLAN macros, ...)

[https://www.automation.siemens.com/bilddb/cax\\_de.aspx?mlfb=3SU1950-0KB10-0AA0&lang=en](https://www.automation.siemens.com/bilddb/cax_de.aspx?mlfb=3SU1950-0KB10-0AA0&lang=en)



last modified:

4/2/2025