



Level relay T5570 230 V AC 4A min/max With transparent cap

Model	
product brand name	SETRON
product designation	Monitoring device
design of the product	Level relays
General technical data	
adjustable pickup delay time initial value	0.2 s
physical measuring principle	conductive
Control current	
control supply voltage	
<ul style="list-style-type: none"> <li>at AC at 50 Hz rated value minimum</li> <li>at AC at 50 Hz rated value maximum</li> <li>at AC at 60 Hz rated value minimum</li> <li>at AC at 60 Hz rated value maximum</li> </ul>	230 V 230 V 230 V 230 V
Auxiliary circuit	
number of CO contacts for auxiliary contacts	2
number of NC contacts for auxiliary contacts	0
number of NO contacts for auxiliary contacts	0
Adjustable parameters	
adjustable pickup delay time full-scale value	20 s
adjustable OFF-delay time	
<ul style="list-style-type: none"> <li>initial value</li> <li>full-scale value</li> </ul>	0.2 s 20 s
Product function	
product function adjustable responsiveness	Yes
Number	
number of inputs	3
Connections	
product component removable terminal for auxiliary and control circuit	No
type of electrical connection	
<ul style="list-style-type: none"> <li>for auxiliary and control circuit</li> <li>plug-in socket</li> </ul>	screw-type terminals No
Mechanical Design	
height	90 mm
width	36 mm
depth	64 mm
Net Weight	182 g
Environmental conditions	
ambient temperature during operation	

- minimum
- maximum

-20 °C  
60 °C

Approvals Certificates

Environment	General Product Approval	other
-------------	--------------------------	-------

[Environmental Con-  
firmations](#)

[Environmental Con-  
firmations](#)



[Confirmation](#)



[Confirmation](#)

other

[Miscellaneous](#)



Further information

Information on the packaging

<https://support.industry.siemens.com/cs/ww/en/view/109813875>

Information for data generation and storage

<https://support.industry.siemens.com/cs/ww/en/view/109995012>

Information- and Downloadcenter (Catalogs, Brochures,...)

<https://www.siemens.com/lowvoltage/catalogs>

Industry Mall (Online ordering system)

<https://mall.industry.siemens.com/mall/en/en/Catalog/product?mlfb=5TT3435>

Service&Support (Manuals, Certificates, Characteristics, FAQs,...)

<https://support.industry.siemens.com/cs/ww/en/ps/5TT3435>

Image database (product images, 2D dimension drawings, 3D models, device circuit diagrams, ...)

[https://www.automation.siemens.com/bilddb/cax\\_en.aspx?mlfb=5TT3435](https://www.automation.siemens.com/bilddb/cax_en.aspx?mlfb=5TT3435)

CAX-Online-Generator

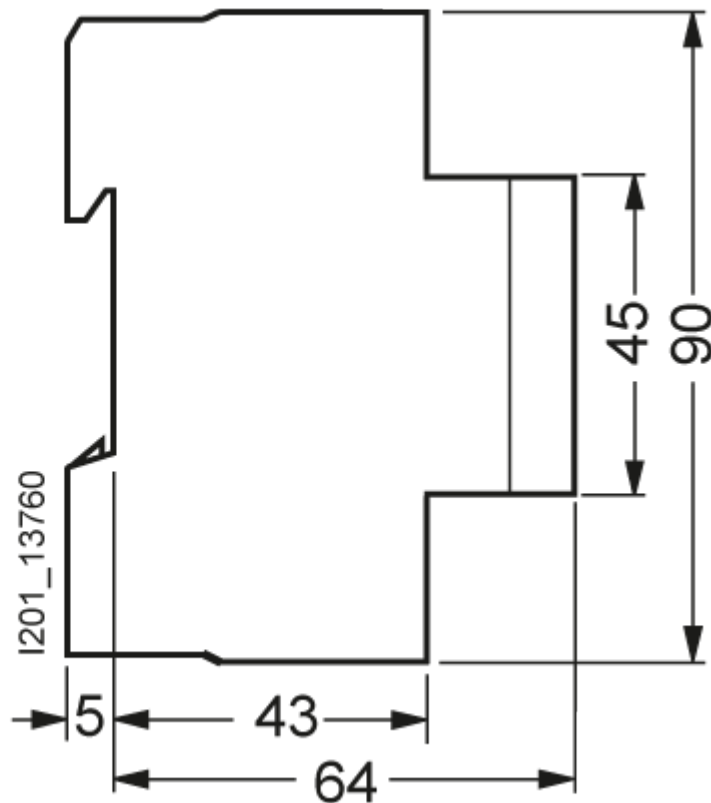
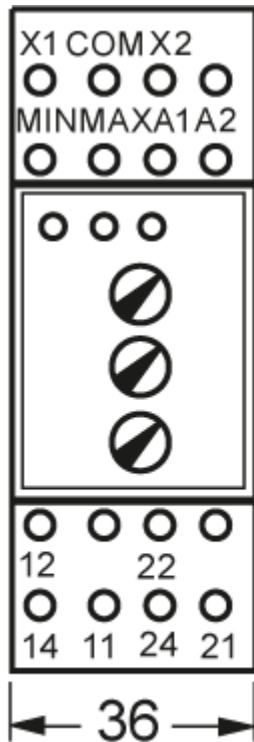
<https://www.siemens.com/cax>

Tender specifications

<https://www.siemens.com/specifications>

Characteristic curves

[https://curves.simaris.siemens.com/curves/<mmp\\_prod\\_noCOMP='HAUPT'></mmp\\_prod\\_no>](https://curves.simaris.siemens.com/curves/<mmp_prod_noCOMP='HAUPT'></mmp_prod_no>)





---

last modified:

4/12/2025 