

Sealable cover 17.5 mm, For SIRIUS devices in industrial standard mounting rail enclosure with cutout at the bottom

product brand name	SIRIUS
product category	Further accessories
product designation	Sealable cover/17.5 mm
design of the product	For simple protection against unauthorized access
product type designation	3ZY1

General technical data	
Substance Prohibitan- ce (day/month/year)	03/01/2017
Net Weight	0.002 kg
width	17.5 mm

Approvals Certificates	
Environment	General Product Approval

[Environmental Con-
firmations](#)



Test Certificates	Maritime application	other
-------------------	----------------------	-------

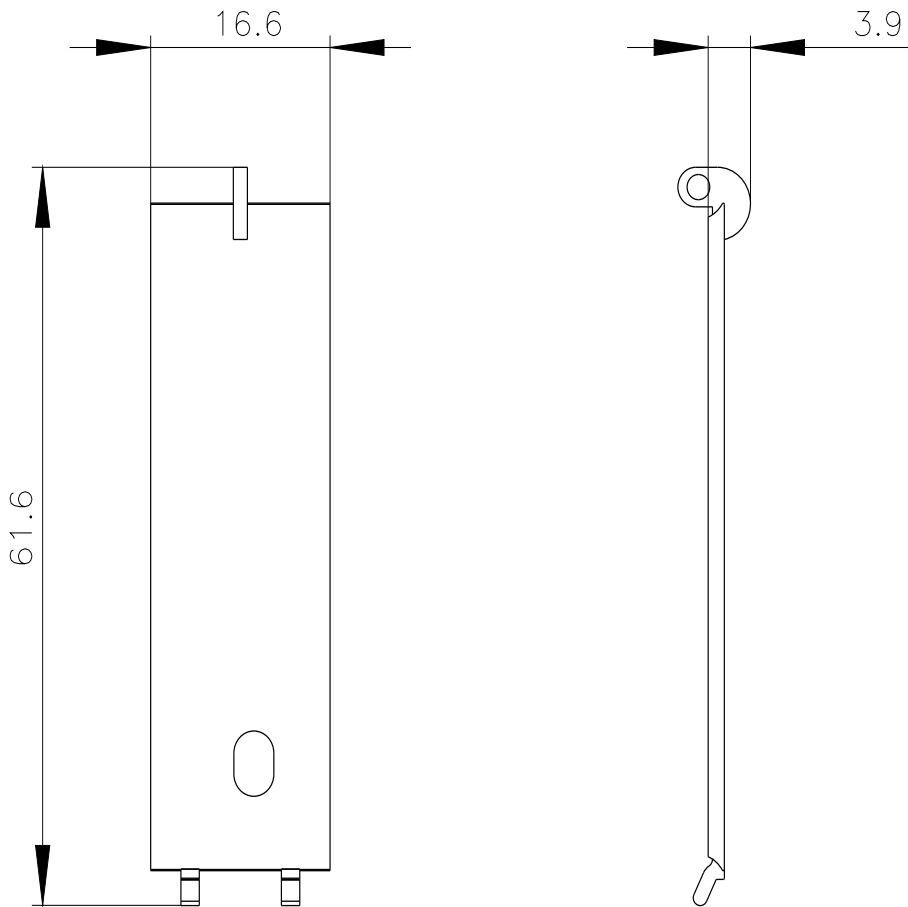
[Type Test Certi-
ficates/Test Report](#)



other	
Confirmation	Confirmation

Further information

- Information on the packaging
<https://support.industry.siemens.com/cs/ww/en/view/109813875>
- Information for data generation and storage
<https://support.industry.siemens.com/cs/ww/en/view/109995012>
- Information- and Downloadcenter (Catalogs, Brochures,...)
<https://www.siemens.com/ic10>
- Industry Mall (Online ordering system)
<https://mall.industry.siemens.com/mall/en/en/Catalog/product?mlfb=3ZY1321-1AA00>
- Cax online generator



last modified:

4/1/2025 