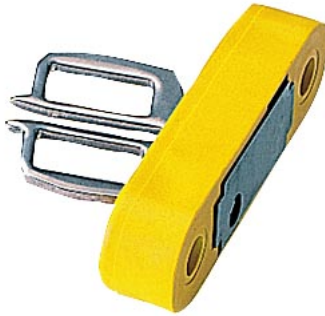


Separate actuator Universal radius actuator, for Position switch with separate actuator 3SE2243 and 3SE2257



product brand name	SIRIUS
product category	Miscellaneous accessories
product designation	Separate universal actuator
product type designation	3SX3

**General technical data**

Substance Prohibitation (day/month/year)	07/01/2006
Net Weight	0.02 kg

**Approvals Certificates**

Environment	General Product Approval	other
-------------	--------------------------	-------

[Environmental Conformations](#)



[Confirmation](#)

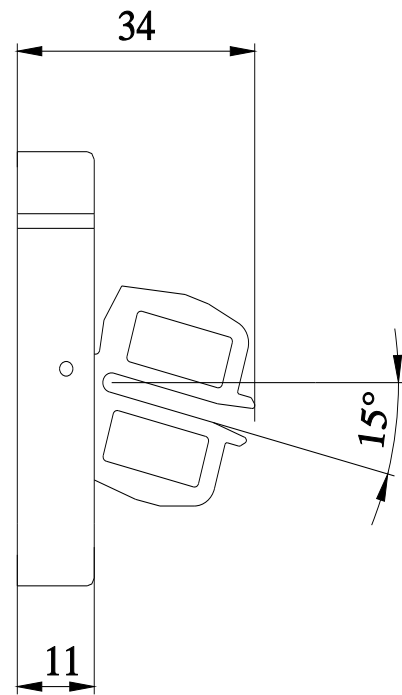
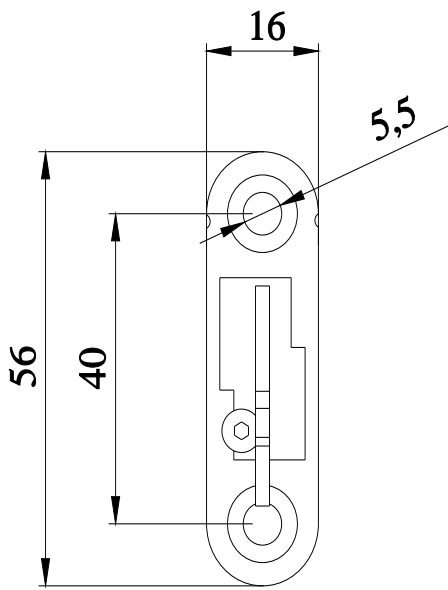
[Confirmation](#)

**other**



**Further information**

- Information on the packaging  
<https://support.industry.siemens.com/cs/ww/en/view/109813875>
- Information for data generation and storage  
<https://support.industry.siemens.com/cs/ww/en/view/109995012>
- Information- and Downloadcenter (Catalogs, Brochures,...)  
<https://www.siemens.com/ic10>
- Industry Mall (Online ordering system)  
<https://mall.industry.siemens.com/mall/en/en/Catalog/product?mlfb=3SX3228>
- Cax online generator  
<https://support.automation.siemens.com/WW/CAXorder/default.aspx?lang=en&mlfb=3SX3228>
- Service&Support (Manuals, Certificates, Characteristics, FAQs,...)  
<https://support.industry.siemens.com/cs/ww/en/ps/3SX3228>
- Image database (product images, 2D dimension drawings, 3D models, device circuit diagrams, EPLAN macros, ...)  
[https://www.automation.siemens.com/bilddb/cax\\_de.aspx?mlfb=3SX3228&lang=en](https://www.automation.siemens.com/bilddb/cax_de.aspx?mlfb=3SX3228&lang=en)



last modified:

10/22/2025 