

Siemens
EcoTech



Pressure piece for actuation of the center contact module of 3 contact modules, for selector switch, key-operated switch and twin pushbutton



product brand name	SIRIUS ACT
product designation	Pressure plate
design of the product	for selectors and locks
product type designation	3SU1

General technical data

Substance Prohibition (day/month/year)	10/01/2014
Net Weight	1 g

Ambient conditions

ambient temperature	
<ul style="list-style-type: none"> during operation 	-25 ... +70 °C
<ul style="list-style-type: none"> during storage and transport 	-40 ... +80 °C

Installation/ mounting/ dimensions

height	7.2 mm
width	7.5 mm
installation depth	5.4 mm

Accessories

material of accessory	Plastic
color of accessory	white

Approvals Certificates

Environmental Product Declaration	
<ul style="list-style-type: none"> global warming potential [CO2 eq] / during manufacturing 	0.566 kg
<ul style="list-style-type: none"> global warming potential [CO2 eq] / during operation 	0.235 kg
<ul style="list-style-type: none"> global warming potential [CO2 eq] / after end of life 	-0.0145 kg
<ul style="list-style-type: none"> global warming potential [CO2 eq] / total 	0.787 kg

Environment **General Product Approval**

[Environmental Con-
firmations](#)



General Product Approval	Test Certificates	Maritime application
--------------------------	-------------------	----------------------



[Type Test Certificates/Test Report](#)

[Special Test Certificate](#)



Maritime application other



[Confirmation](#)

[Confirmation](#)



Further information

Information on the packaging

<https://support.industry.siemens.com/cs/ww/en/view/109813875>

Information for data generation and storage

<https://support.industry.siemens.com/cs/ww/en/view/109995012>

Information- and Downloadcenter (Catalogs, Brochures,...)

<https://www.siemens.com/ic10>

Industry Mall (Online ordering system)

<https://mall.industry.siemens.com/mall/en/en/Catalog/product?mlfb=3SU1900-0KC10-0AA0>

Cax online generator

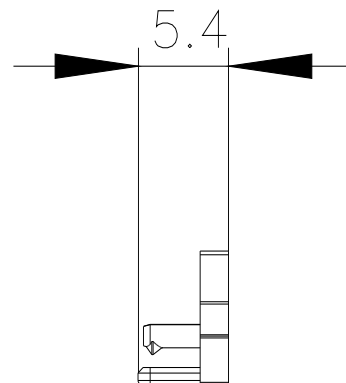
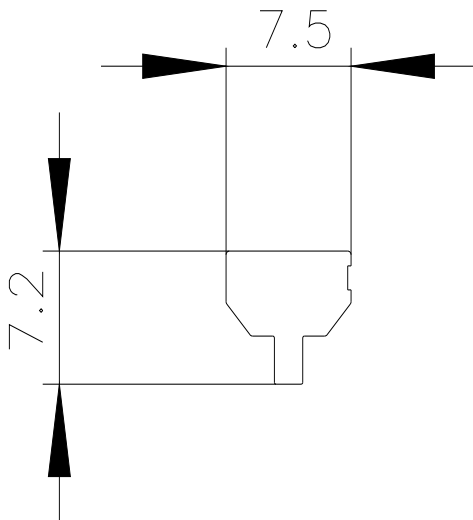
<https://support.automation.siemens.com/WW/CAXorder/default.aspx?lang=en&mlfb=3SU1900-0KC10-0AA0>

Service&Support (Manuals, Certificates, Characteristics, FAQs,...)

<https://support.industry.siemens.com/cs/ww/en/ps/3SU1900-0KC10-0AA0>

Image database (product images, 2D dimension drawings, 3D models, device circuit diagrams, EPLAN macros, ...)

https://www.automation.siemens.com/bilddb/cax_de.aspx?mlfb=3SU1900-0KC10-0AA0&lang=en



last modified:

4/2/2025