



Adapter AS-i shaped cable (Insulation displacement system), M20 cable entry



product brand name	SIRIUS ACT
product designation	Adapter
design of the product	AS-i shaped cable (insulation piercing method) M20 cable entry
product type designation	3SU1

General technical data

protection class IP	IP66, IP67, IP69(IP69K)
Substance Prohibition (day/month/year)	10/01/2014
SVHC substance name	Lead CAS-No. 7439-92-1
Net Weight	38 g

Ambient conditions

ambient temperature	
• during operation	-25 ... +70 °C
• during storage and transport	-40 ... +80 °C

Installation/ mounting/ dimensions

mounting height	9.5 mm
installation depth	20.3 mm

Accessories

material of accessory	Plastic
color of accessory	black

Approvals Certificates

Environmental Product Declaration	
• global warming potential [CO2 eq] / during manufacturing	0.566 kg
• global warming potential [CO2 eq] / during operation	0.235 kg
• global warming potential [CO2 eq] / after end of life	-0.0145 kg
• global warming potential [CO2 eq] / total	0.787 kg

Environment General Product Approval

[Environmental Con-
firmations](#)



General Product Approval	Test Certificates	Maritime application
--------------------------	-------------------	----------------------

other

[Confirmation](#)



Further information

Information on the packaging

<https://support.industry.siemens.com/cs/ww/en/view/109813875>

Information for data generation and storage

<https://support.industry.siemens.com/cs/ww/en/view/109995012>

Information- and Downloadcenter (Catalogs, Brochures,...)

<https://www.siemens.com/ic10>

Industry Mall (Online ordering system)

<https://mall.industry.siemens.com/mall/en/en/Catalog/product?mlfb=3SU1900-0HX10-0AA0>

Cax online generator

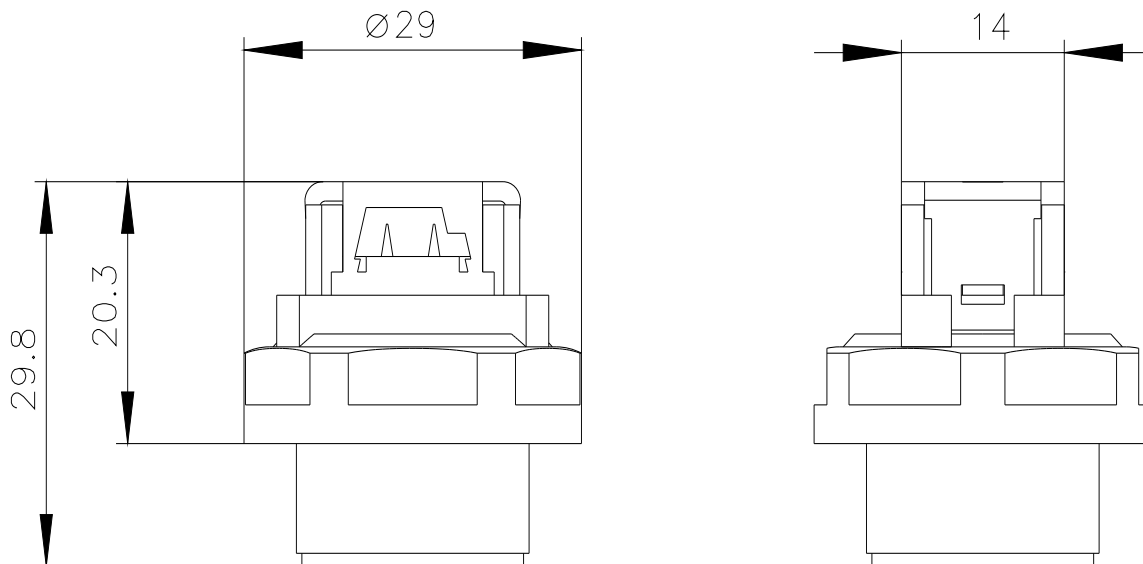
<https://support.automation.siemens.com/WW/CAXorder/default.aspx?lang=en&mlfb=3SU1900-0HX10-0AA0>

Service&Support (Manuals, Certificates, Characteristics, FAQs,...)

<https://support.industry.siemens.com/cs/ww/en/ps/3SU1900-0HX10-0AA0>

Image database (product images, 2D dimension drawings, 3D models, device circuit diagrams, EPLAN macros, ...)

https://www.automation.siemens.com/bilddb/cax_de.aspx?mlfb=3SU1900-0HX10-0AA0&lang=en



last modified:

4/2/2025