



AS-Interface M12 branch U_ASI without Uaux, with M12 socket

product brand name	SIRIUS
product category	AS-Interface accessories
product designation	AS-i flat cable transition to M12
design of the product	AS-i M12 branch
suitability for use	can be used for AS-i flat cable (yellow) and AUX flat cable (black) connections
General technical data	
number of sockets	1
operating voltage according to AS-Interface specification	26.5 ... 31.6 V
operational current rated value	2 A
number of poles	2
contact rating maximum	2 A
protection class IP	IP67
Substance Prohibitance (day/month/year)	05/01/2012
Net Weight	0.024 kg
Installation/ mounting/ dimensions	
mounting type	screw mounting with fixing lugs
height	30.7 mm
width	20 mm
length	50 mm
Ambient conditions	
ambient temperature	
• during operation	-25 ... +60 °C
• during storage	-25 ... +85 °C
Connections/ Terminals	
type of electrical connection	insulation piercing method for AS-Interface flat cable
design of the AS-Interface connection	1x M12 socket
feeder type	M12 socket, A-coding
mounting type of the flat cable	cover with 2 screws
contact assignment of the M12 connection for connecting an AS-i flat cable	
• at pin 1	ASI+
• at pin 2	not connected
• at pin 3	ASI-
• at pin 4	not connected
• at pin 5	not connected
contact assignment of the M12 connection for connecting an AUX flat cable	
• at pin 1	AUX+
• at pin 2	not connected

- at pin 3
- at pin 4
- at pin 5

AUX-
not connected
not connected

Approvals Certificates

Environment	General Product Approval	other
-------------	--------------------------	-------

[Environmental Con-
firmations](#)



[Confirmation](#)

other



Further information

Siemens is working on the renewal of the current EAC certificates.

Please contact your local Siemens office on the status of validity of the EAC certification if you intend to import or offer to supply these products to an EAC relevant market (other than the sanctioned EAEU member states Russia or Belarus).

Siemens has decided to exit the Russian market (see here).

<https://press.siemens.com/global/en/pressrelease/siemens-wind-down-russian-business>

Information on the packaging

<https://support.industry.siemens.com/cs/ww/en/view/109813875>

Information for data generation and storage

<https://support.industry.siemens.com/cs/ww/en/view/109995012>

Information- and Downloadcenter (Catalogs, Brochures,...)

<https://www.siemens.com/ic10>

Industry Mall (Online ordering system)

<https://mall.industry.siemens.com/mall/en/en/Catalog/product?mlfb=3RX9801-0AA00>

Cax online generator

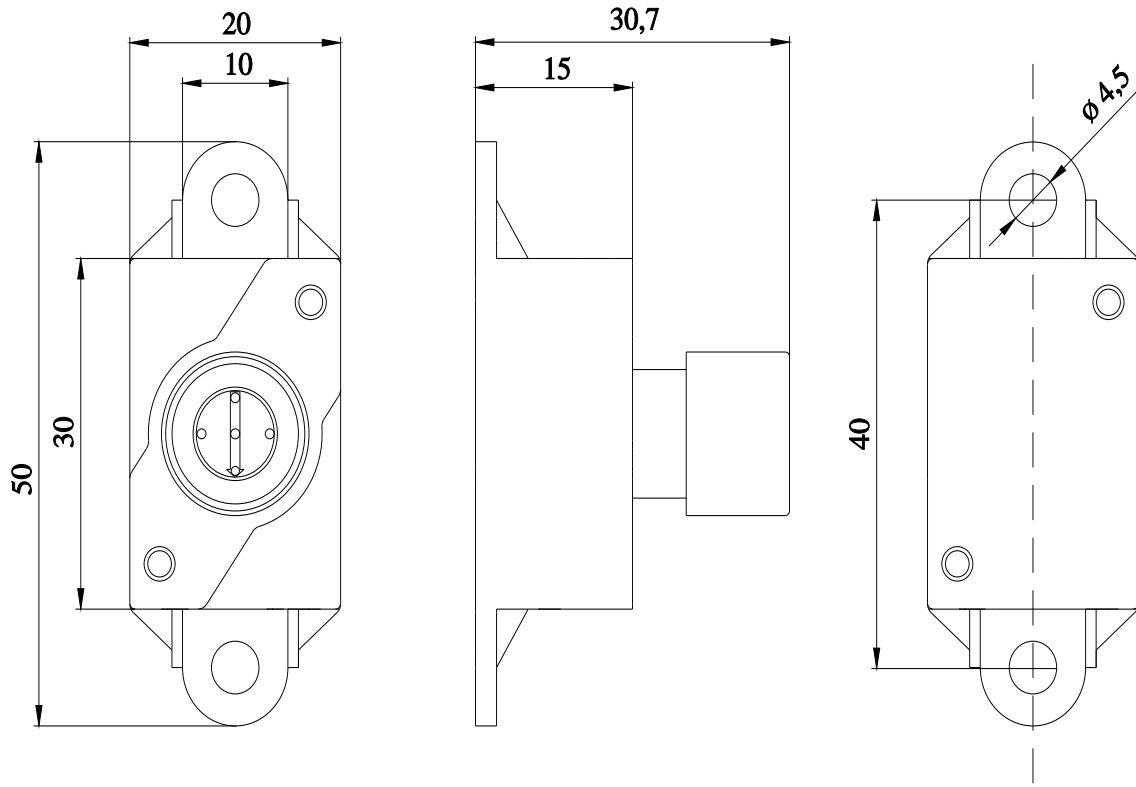
<https://support.automation.siemens.com/WW/CAXorder/default.aspx?lang=en&mlfb=3RX9801-0AA00>

Service&Support (Manuals, Certificates, Characteristics, FAQs,...)

<https://support.industry.siemens.com/cs/ww/en/ps/3RX9801-0AA00>

Image database (product images, 2D dimension drawings, 3D models, device circuit diagrams, EPLAN macros, ...)

https://www.automation.siemens.com/bilddb/cax_de.aspx?mlfb=3RX9801-0AA00&lang=en



last modified:

1/22/2026 