



AS-Interface M12 branch U_ASI without Uaux, 2 m cable with M12 cable socket angled IP67/68/69K, max. 4 A

product category	AS-Interface accessories		
product designation	AS-i flat cable transition to M12		
design of the product	AS-i M12 feeder, AS-i without Uaux, 2 m cable		
General technical data			
operating voltage according to AS-Interface specification	26.5 ... 31.6 V		
contact rating maximum	4 A		
protection class IP	IP67, IP68, IP69K		
Substance Prohibitance (day/month/year)	07/01/2006		
Net Weight	0.095 kg		
Ambient conditions			
ambient temperature			
• during operation	-25 ... +75 °C		
• during storage	-25 ... +85 °C		
Connections/ Terminals			
type of electrical connection	insulation piercing method for AS-Interface flat cable		
design of the AS-Interface connection	M12 cable box 2 m		
installation or assembly note	flat cable end not permitted in the branch		
Approvals Certificates			
Environment	General Product Approval	EMV	Maritime application

[Environmental Conformations](#)



other

[Confirmation](#)



Further information

Siemens is working on the renewal of the current EAC certificates.

Please contact your local Siemens office on the status of validity of the EAC certification if you intend to import or offer to supply these products to an EAC relevant market (other than the sanctioned EAEU member states Russia or Belarus).

Siemens has decided to exit the Russian market (see here).

<https://press.siemens.com/global/en/pressrelease/siemens-wind-down-russian-business>

Information on the packaging

<https://support.industry.siemens.com/cs/ww/en/view/109813875>

Information for data generation and storage

<https://support.industry.siemens.com/cs/ww/en/view/109995012>

Information- and Downloadcenter (Catalogs, Brochures,...)

<https://www.siemens.com/ic10>

Industry Mall (Online ordering system)

<https://mall.industry.siemens.com/mall/en/en/Catalog/product?mlfb=3RK1901-1NR12>

Cax online generator

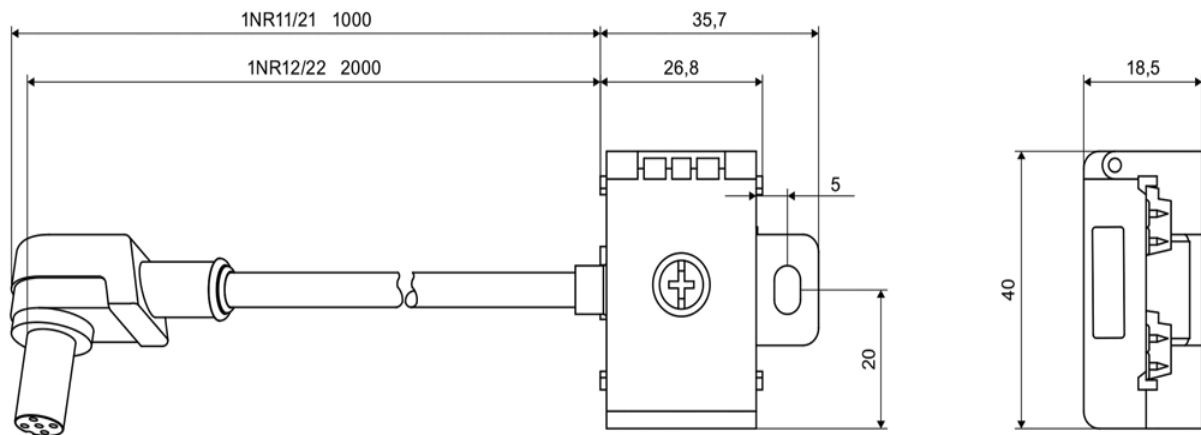
<https://support.automation.siemens.com/WW/CAXorder/default.aspx?lang=en&mlfb=3RK1901-1NR12>

Service&Support (Manuals, Certificates, Characteristics, FAQs,...)

<https://support.industry.siemens.com/cs/ww/en/ps/3RK1901-1NR12>

Image database (product images, 2D dimension drawings, 3D models, device circuit diagrams, EPLAN macros, ...)

https://www.automation.siemens.com/bilddb/cax_de.aspx?mlfb=3RK1901-1NR12&lang=en



last modified:

12/3/2025