

AS-Interface accessory Cable termination piece Sealing of open cable ends for shaped AS-i cable Degree of protection IP67



General technical data

design of the product	For sealing of open cable ends (shaped AS-Interface cable)
-----------------------	--

Certificates/ approvals

General Product Approval	EMV	Maritime application	other
--------------------------	-----	----------------------	-------



[Confirmation](#)

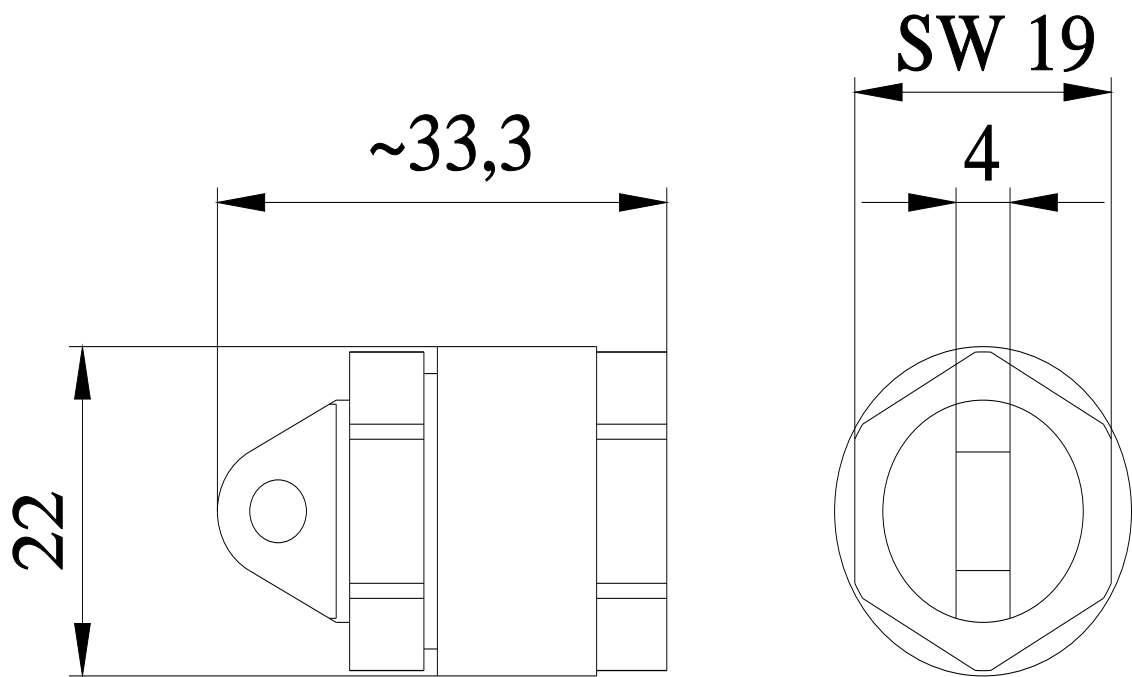
other Environment



[Environmental Conformations](#)

Further information

- Information on the packaging
<https://support.industry.siemens.com/cs/ww/en/view/109813875>
- Information for data generation and storage
<https://support.industry.siemens.com/cs/ww/en/view/109995012>
- Information- and Downloadcenter (Catalogs, Brochures,...)
<https://www.siemens.com/ic10>
- Industry Mall (Online ordering system)
<https://mall.industry.siemens.com/mall/en/en/Catalog/product?mlfb=3RK1901-1MN00>
- Cax online generator
<https://support.automation.siemens.com/WW/CAXorder/default.aspx?lang=en&mlfb=3RK1901-1MN00>
- Service&Support (Manuals, Certificates, Characteristics, FAQs,...)
<https://support.industry.siemens.com/cs/ww/en/ps/3RK1901-1MN00>
- Image database (product images, 2D dimension drawings, 3D models, device circuit diagrams, EPLAN macros, ...)
https://www.automation.siemens.com/bilddb/cax_de.aspx?mlfb=3RK1901-1MN00&lang=en



last modified:

4/1/2025 