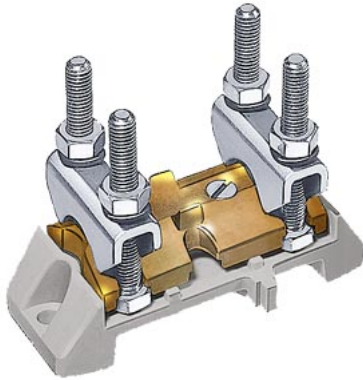


Terminal 1-pole insulated, 630 A Incoming/outgoing unit 1x 50-240/1x 50-240 mm<sup>2</sup>



Model	
product brand name	ALPHA
product designation	Accessories
design of the product	terminal 1-pole insulated, 630 A
product type designation	8JK4
accessories	others
Mechanical Design	
Net Weight	495 g
Approvals Certificates	
General Product Approval	



### Further information

**Information on the packaging**

<https://support.industry.siemens.com/cs/ww/en/view/109813875>

**Information for data generation and storage**

<https://support.industry.siemens.com/cs/ww/en/view/109995012>

**Information- and Downloadcenter (Catalogs, Brochures,...)**

<https://www.siemens.com/lowvoltage/catalogs>

**Industry Mall (Online ordering system)**

<https://mall.industry.siemens.com/mall/en/en/Catalog/product?mifb=8JK4061>

**Service&Support (Manuals, Certificates, Characteristics, FAQs,...)**

<https://support.industry.siemens.com/cs/ww/en/ps/8JK4061>

**Image database (product images, 2D dimension drawings, 3D models, device circuit diagrams, ...)**

[https://www.automation.siemens.com/bilddb/cax\\_en.aspx?mifb=8JK4061](https://www.automation.siemens.com/bilddb/cax_en.aspx?mifb=8JK4061)

**CAX-Online-Generator**

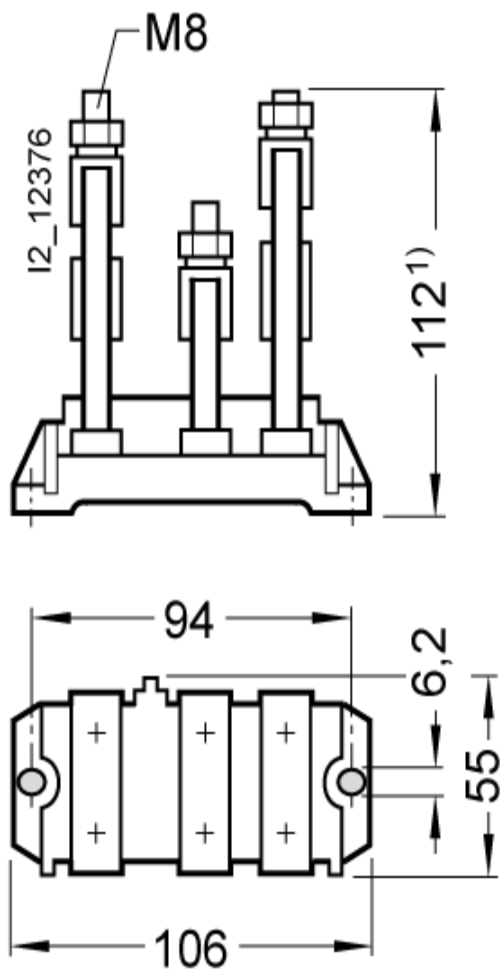
<https://www.siemens.com/cax>

**Tender specifications**

<https://www.siemens.com/specifications>

**Characteristic curves**

[https://curves.simaris.siemens.com/curves/<mmp\\_prod\\_noCOMP="HAUPT"></mmp\\_prod\\_no>](https://curves.simaris.siemens.com/curves/<mmp_prod_noCOMP=)



1) 8JK4 061: 82 mm hoch, ohne mittlere Klemmstelle.

last modified:

8/7/2025 

