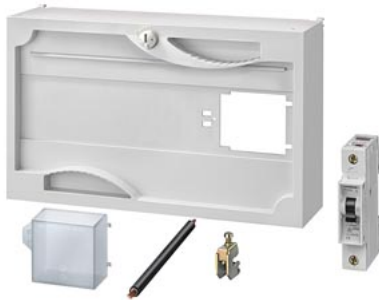


ALPHA-ZS, Tariff switching device retrofit kit with miniature circuit breaker B6A with cover for UAR 150 mm without busbar system



Model		
product brand name	ALPHA	
product designation	Accessories	
design of the product	tariff switching device retrofit kit	
product type designation	8GS4	
accessories	others	
Mechanical Design		
Net Weight	781 g	
Approvals Certificates		
General Product Approval	Test Certificates	other



[Confirmation](#)

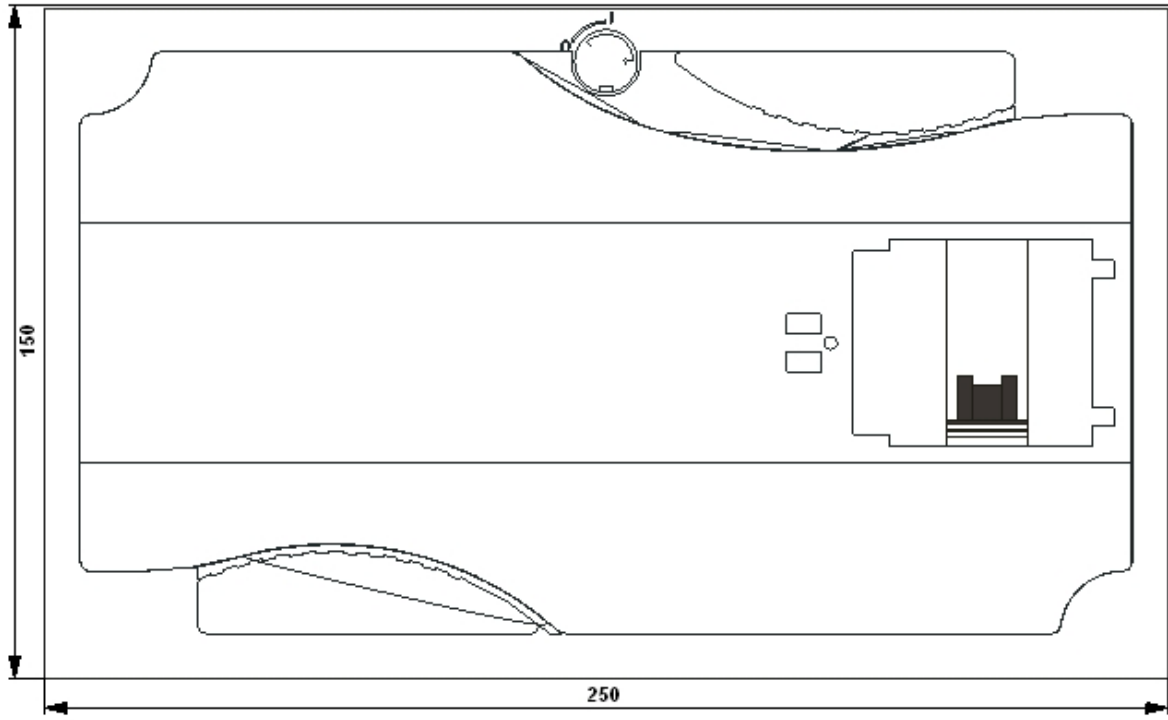
[Type Test Certificates/Test Report](#)

[Confirmation](#)



### Further information

- Information on the packaging  
<https://support.industry.siemens.com/cs/ww/en/view/109813875>
- Information for data generation and storage  
<https://support.industry.siemens.com/cs/ww/en/view/109995012>
- Information- and Downloadcenter (Catalogs, Brochures,...)  
<https://www.siemens.com/lowvoltage/catalogs>
- Industry Mall (Online ordering system)  
<https://mall.industry.siemens.com/mall/en/en/Catalog/product?mifb=8GS4024-3>
- Service&Support (Manuals, Certificates, Characteristics, FAQs,...)  
<https://support.industry.siemens.com/cs/ww/en/ps/8GS4024-3>
- Image database (product images, 2D dimension drawings, 3D models, device circuit diagrams, ...)  
[https://www.automation.siemens.com/bilddb/cax\\_en.aspx?mifb=8GS4024-3](https://www.automation.siemens.com/bilddb/cax_en.aspx?mifb=8GS4024-3)
- CAX-Online-Generator  
<https://www.siemens.com/cax>
- Tender specifications  
<https://www.siemens.com/specifications>
- Characteristic curves  
[https://curves.simaris.siemens.com/curves/<mmp\\_prod\\_noCOMP="HAUPT"></mmp\\_prod\\_no>](https://curves.simaris.siemens.com/curves/<mmp_prod_noCOMP=)



last modified:

8/7/2025 

