

DIAZED fuse base Size III Molded plastic, 3-pole touch-protected (BGV A2)
 Access: Double function terminal Outgoing feeder: Box terminal 63 A 500 V AC



Figure similar

Model	
product brand name	SENTRON
product designation	DIAZED fuse base
design of the product	DIAZED base
design of the fuse base	gauge inset
General technical data	
number of poles	3
size of fuse system according to EN 60269-1	DIII
Supply voltage	
supply voltage at AC	500 V
Product details	
product component cover	Yes
Mechanical Design	
height	150 mm
width	80 mm
depth	55 mm
fastening method	DIN rail
Net Weight	
material of the enclosure	plastic

Approvals Certificates		
Environment	General Product Approval	other

[Environmental Con-
firmations](#)



[Confirmation](#)



[Confirmation](#)

other



Further information

Information on the packaging
<https://support.industry.siemens.com/cs/ww/en/view/109813875>
 Information for data generation and storage
<https://support.industry.siemens.com/cs/ww/en/view/109995012>

Information- and Downloadcenter (Catalogs, Brochures,...)

<https://www.siemens.com/lowvoltage/catalogs>

Industry Mall (Online ordering system)

<https://mall.industry.siemens.com/mall/en/en/Catalog/product?mlfb=5SF5268>

Service&Support (Manuals, Certificates, Characteristics, FAQs,...)

<https://support.industry.siemens.com/cs/ww/en/ps/5SF5268>

Image database (product images, 2D dimension drawings, 3D models, device circuit diagrams, ...)

https://www.automation.siemens.com/bilddb/cax_en.aspx?mlfb=5SF5268

CAX-Online-Generator

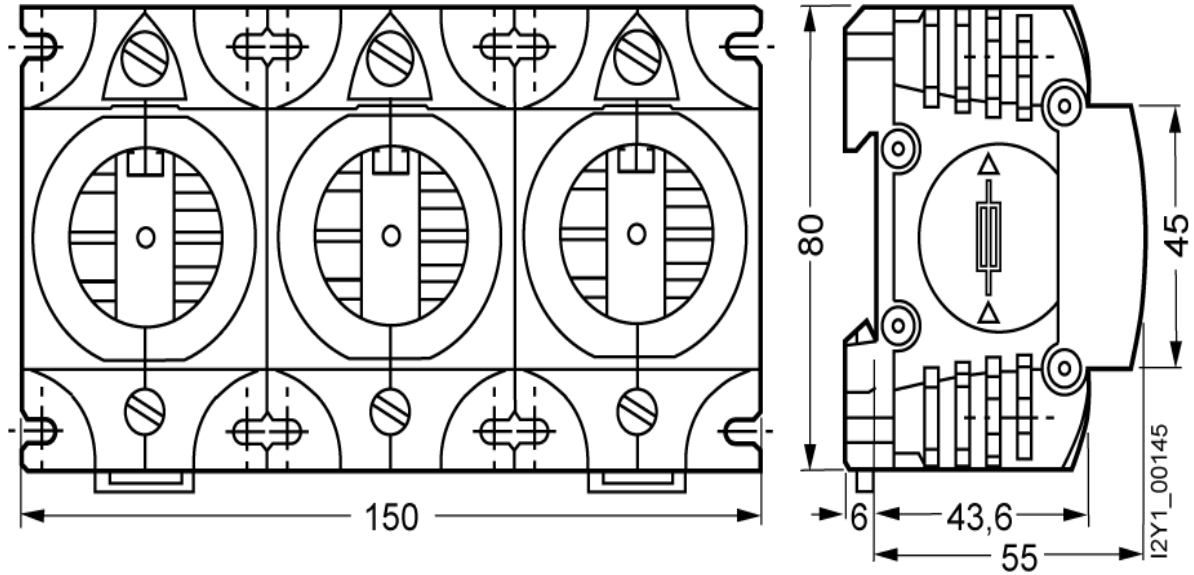
<https://www.siemens.com/cax>

Tender specifications

<https://www.siemens.com/specifications>

Characteristic curves

https://curves.simaris.siemens.com/curves/<mmp_prod_noCOMP='HAUPT'></mmp_prod_no>



-F

