

DIAZED fuse base Size DII Molded plastic, 3-pole touch-protected (BGV A2)
 Access: Double function terminal Outgoing feeder: Box terminal 25A 500 V AC



Figure similar

Model		
product brand name	SENTRON	
product designation	DIAZED fuse base	
design of the product	DIAZED base	
design of the fuse base	gauge inset	
General technical data		
number of poles	3	
size of fuse system according to EN 60269-1	DII	
Supply voltage		
supply voltage at AC	500 V	
Product details		
product component cover	Yes	
Mechanical Design		
height	120 mm	
width	80 mm	
depth	55 mm	
fastening method	DIN rail	
Net Weight	344 g	
material of the enclosure	plastic	
Approvals Certificates		
Environment	General Product Approval	other

[Environmental Con-
firmations](#)



[Confirmation](#)



[Confirmation](#)

other



Further information

Information on the packaging
<https://support.industry.siemens.com/cs/ww/en/view/109813875>
 Information for data generation and storage
<https://support.industry.siemens.com/cs/ww/en/view/109995012>

Information- and Downloadcenter (Catalogs, Brochures,...)

<https://www.siemens.com/lowvoltage/catalogs>

Industry Mall (Online ordering system)

<https://mall.industry.siemens.com/mall/en/en/Catalog/product?mlfb=5SF5068>

Service&Support (Manuals, Certificates, Characteristics, FAQs,...)

<https://support.industry.siemens.com/cs/ww/en/ps/5SF5068>

Image database (product images, 2D dimension drawings, 3D models, device circuit diagrams, ...)

https://www.automation.siemens.com/bilddb/cax_en.aspx?mlfb=5SF5068

CAX-Online-Generator

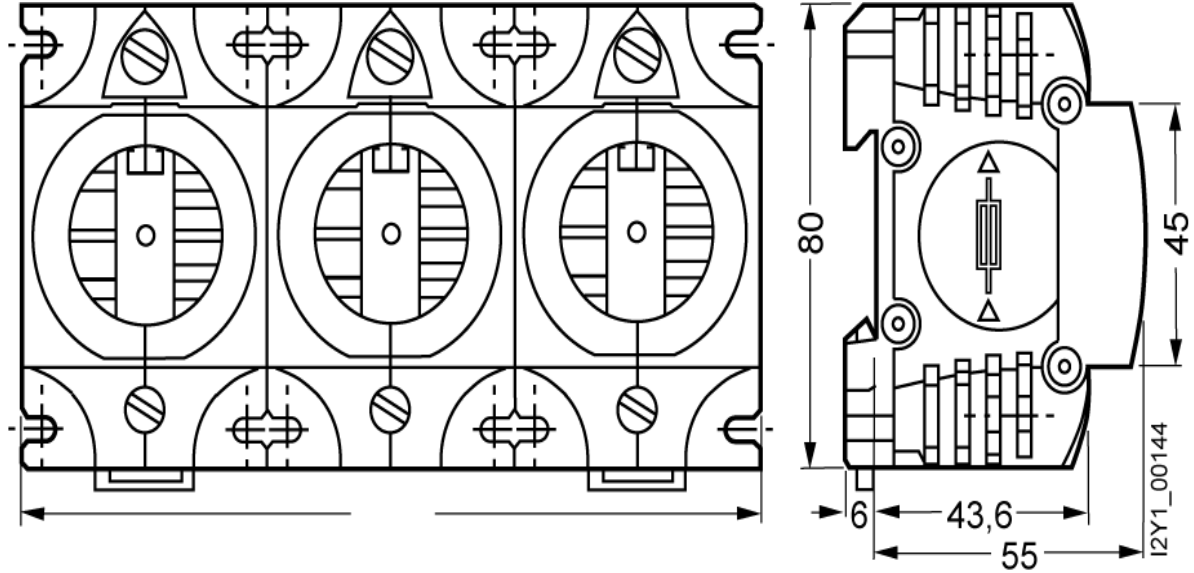
<https://www.siemens.com/cax>

Tender specifications

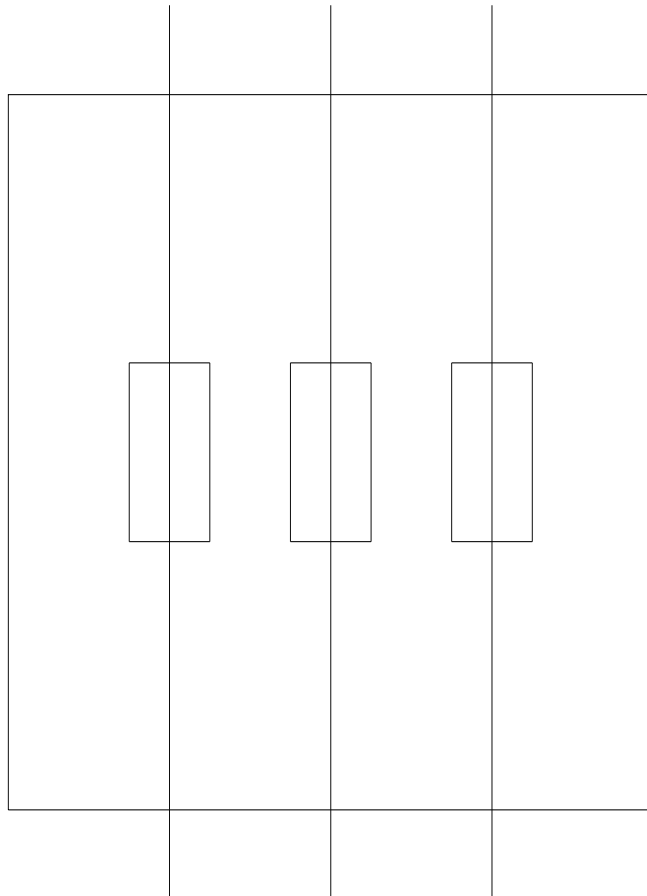
<https://www.siemens.com/specifications>

Characteristic curves

https://curves.simaris.siemens.com/curves/<mmp_prod_noCOMP='HAUPT'></mmp_prod_no>



-F



last modified:

4/6/2026 