



Figure similar

DIAZED fuse base size DII Molded plastic, 1-pole touch-protected (BGV A2)
 Access: Double function terminal Outgoing feeder: Box terminal 25A 500 V AC

Model	
product brand name	SENTRON
product designation	DIAZED fuse base
design of the product	DIAZED base
design of the fuse base	gauge inset
General technical data	
number of poles	1
size of fuse system according to EN 60269-1	DII
Supply voltage	
supply voltage at AC	500 V
Product details	
product component cover	Yes
Mechanical Design	
height	40 mm
width	80 mm
depth	55 mm
fastening method	DIN rail
Net Weight	115 g
material of the enclosure	plastic
Approvals Certificates	
Environment	General Product Approval

[Environmental Confirmations](#)



[Confirmation](#)



other

[Confirmation](#)



Further information

Information on the packaging
<https://support.industry.siemens.com/cs/ww/en/view/109813875>
 Information for data generation and storage
<https://support.industry.siemens.com/cs/ww/en/view/109995012>

Information- and Downloadcenter (Catalogs, Brochures,...)

<https://www.siemens.com/lowvoltage/catalogs>

Industry Mall (Online ordering system)

<https://mall.industry.siemens.com/mall/en/en/Catalog/product?mlfb=5SF1060>

Service&Support (Manuals, Certificates, Characteristics, FAQs,...)

<https://support.industry.siemens.com/cs/ww/en/ps/5SF1060>

Image database (product images, 2D dimension drawings, 3D models, device circuit diagrams, ...)

https://www.automation.siemens.com/bilddb/cax_en.aspx?mlfb=5SF1060

CAx-Online-Generator

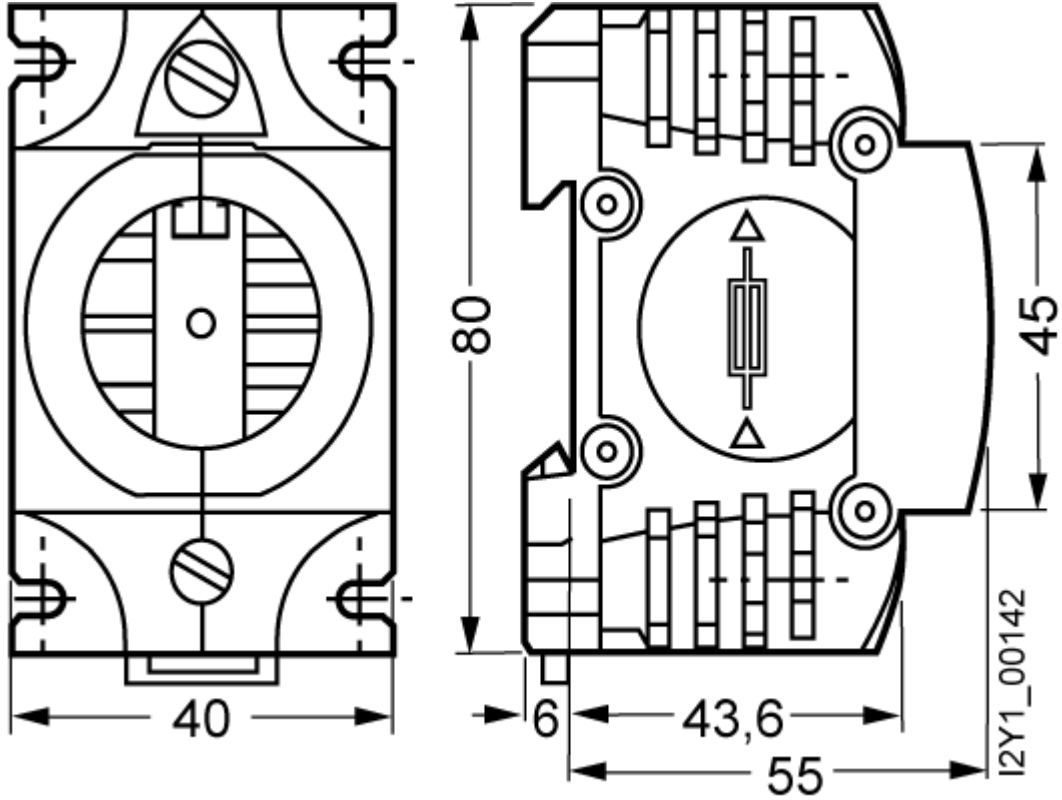
<https://www.siemens.com/cax>

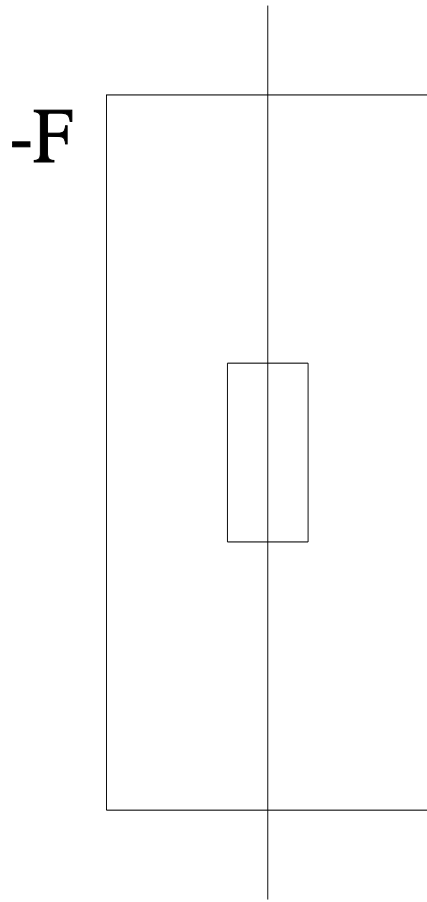
Tender specifications

<https://www.siemens.com/specifications>

Characteristic curves

https://curves.simaris.siemens.com/curves/<mmp_prod_noCOMP='HAUPT'></mmp_prod_no>





last modified:

4/6/2026 