

Ceramic Cartridge Fuse

multicomp PRO

**RoHS
Compliant**



Agency Approvals

Agency
Recognized Component for
Canada and US
CCC

Ampere Rating
: 50A to 400A

: 50A to 400A

Application

Ideal for use in electric vehicles. Charging protection boards.

UL Approved

Product Characteristics

Operating Temperature : -55°C to +125°C

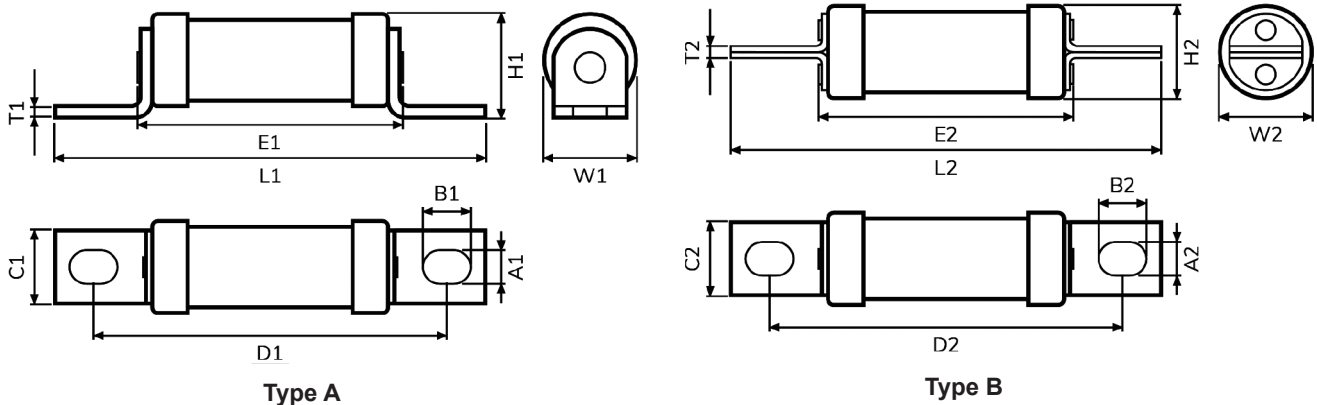
Material

Body : Ceramic
Caps : Tin Plated Copper
Terminal : Tin Plated Copper

Interrupting Rating

50A to 150A : 100,000 Amperes at 800V AC
50,000 Amperes at 800V DC
160A to 400A : 100,000 Amperes at 800V AC
50,000 Amperes at 800V DC

Mechanical Dimensions



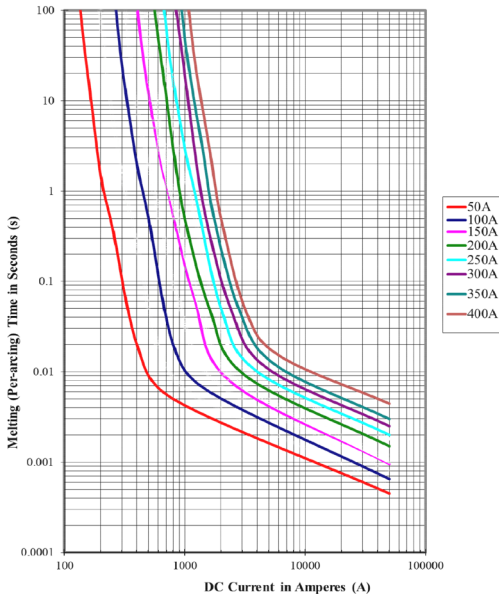
Type A	A1	B1	C1	D1	E1	H1	L1	T1	W1
50A - 150A	8.8±1	12.4±1	19.1±1	91.6±3.6	69±3	27.1±2	111.6±3	3±0.2	24.1±2
160A - 400A	10.5±1	15±1	26 ±1	95±4.5	69.2±3	38.2±2	117.6±3	3±0.2	35.2±2
Type B	A2	B2	C2	D2	E2	H2	L2	T2	W2
50A - 150A	8.8±1	12.4±1	19.1±1	91.6±3.6	66±3	24.1±2	111.6±3	3.4±0.2	24.1±2
160A - 400A	10.5±1	15.0±1	26.0±1	95±4.5	69.2±3	35.2±2	117.6±3	6±0.2	35.2±2

Dimensions : Millimetres

Newark.com/multicomp-pro
Farnell.com/multicomp-pro
sg.element14.com/b/multicomp-pro

multicomp PRO

Time Current Curve



Ampere Rating	Watts Loss 100% In(W)
50A	11W
75A	15.5W
100A	24W
125A	28W
150A	32W
160A	33W
175A	35W
200A	40.5W
225A	43W
250A	46W
300A	56W
350A	65W
400A	77W

Part Number Table

Ampere Rating (A)	Voltage Rating (V)	Fuse Size	Type	Part Number
50A	800V	Ø24.1mm × 91.6 mm	A	MP005686
100A		Ø24.1mm × 91.6 mm	A	MP005688
150A		Ø24.1mm × 91.6 mm	A	MP005690
200A		Ø35.2mm × 95mm	A	MP005692
250A		Ø35.2mm × 95mm	A	MP005694
300A		Ø35.2mm × 95mm	A	MP005696
350A		Ø35.2mm × 95mm	A	MP005698
400A		Ø35.2mm × 95mm	A	MP005700
50A		Ø24.1mm × 91.6 mm	B	MP005687
100A		Ø24.1mm × 91.6 mm	B	MP005689
150A		Ø24.1mm × 91.6 mm	B	MP005691
200A		Ø35.2mm × 95mm	B	MP005693
250A		Ø35.2mm × 95mm	B	MP005695
300A		Ø35.2mm × 95mm	B	MP005697
350A		Ø35.2mm × 95mm	B	MP005699
400A		Ø35.2mm × 95mm	B	MP005701

Important Notice : This data sheet and its contents (the "Information") belong to the members of the AVNET group of companies (the "Group") or are licensed to it. No licence is granted for the use of it other than for information purposes in connection with the products to which it relates. No licence of any intellectual property rights is granted. The Information is subject to change without notice and replaces all data sheets previously supplied. The Information supplied is believed to be accurate but the Group assumes no responsibility for its accuracy or completeness, any error in or omission from it or for any use made of it. Users of this data sheet should check for themselves the Information and the suitability of the products for their purpose and not make any assumptions based on information included or omitted. Liability for loss or damage resulting from any reliance on the Information or use of it (including liability resulting from negligence or where the Group was aware of the possibility of such loss or damage arising) is excluded. This will not operate to limit or restrict the Group's liability for death or personal injury resulting from its negligence. Multicomp Pro is the registered trademark of Premier Farnell Limited 2019.