



Timing relay, electronic with star-delta (wye-delta) function 1 NO delayed 1 NO instantaneous 1 time range, 1...20 s 12-240 V AC/DC at 50/60 Hz AC screw terminal

product brand name	SIRIUS
product designation	timing relay
design of the product	Star-delta (wye-delta) function
product type designation	3RP25
General technical data	
product feature protective coating on printed-circuit board	No
product component	
• relay output	Yes
• semi-conductor output	No
product extension required remote control	No
product extension optional remote control	No
power loss [W] maximum	2 W
insulation voltage for overvoltage category III according to IEC 60664 with degree of pollution 3 rated value	300 V
test voltage for isolation test	2.5 kV
degree of pollution	3
surge voltage resistance rated value	4 000 V
shock resistance according to IEC 60068-2-27	11 g / 15 ms
vibration resistance according to IEC 60068-2-6	10 ... 55 Hz / 0.35 mm
mechanical service life (operating cycles) typical	10 000 000
electrical endurance (operating cycles) at AC-15 at 230 V typical	100 000
adjustable time	1 ... 20 s
relative setting accuracy relating to full-scale value	5 %; +/-
thermal current	5 A
recovery time	250 ms
reference code according to IEC 81346-2	K
relative repeat accuracy	1 %; +/-
influence of the surrounding temperature	1% in the whole temperature range to the set runtime
power supply influence	1% in the whole voltage range to the set runtime
Substance Prohibitance (day/month/year)	09/12/2014
SVHC substance name	Lead CAS-No. 7439-92-1 Lead monoxide (lead oxide) CAS-No. 1317-36-8 2-methyl-1-(4-methylthiophenyl)-2-morpholinopropan-1-one CAS-No. 71868-10-5 Melamine CAS-No. 108-78-1 6,6'-di-tert-butyl-2,2'-methylenedi-p-cresol CAS-No. 119-47-1
Net Weight	151 g
Control circuit/ Control	
type of voltage of the control supply voltage	AC/DC
control supply voltage at AC	
• at 50 Hz rated value	12 ... 240 V

<ul style="list-style-type: none"> • at 60 Hz rated value 	12 ... 240 V
control supply voltage 1 at AC	
<ul style="list-style-type: none"> • at 50 Hz 	12 ... 240 V
<ul style="list-style-type: none"> • at 60 Hz 	12 ... 240 V
control supply voltage frequency 1	50 ... 60 Hz
control supply voltage at DC rated value	12 ... 240 V
control supply voltage 1 at DC	12 ... 240 V
operating range factor control supply voltage rated value at DC	
<ul style="list-style-type: none"> • initial value 	0.8
<ul style="list-style-type: none"> • full-scale value 	1.1
operating range factor control supply voltage rated value at AC at 50 Hz	
<ul style="list-style-type: none"> • initial value 	0.8
<ul style="list-style-type: none"> • full-scale value 	1.1
operating range factor control supply voltage rated value at AC at 60 Hz	
<ul style="list-style-type: none"> • initial value 	0.8
<ul style="list-style-type: none"> • full-scale value 	1.1
inrush current peak	
<ul style="list-style-type: none"> • at 24 V 	0.5 A
<ul style="list-style-type: none"> • at 240 V 	5 A
duration of inrush current peak	
<ul style="list-style-type: none"> • at 24 V 	0.4 ms
<ul style="list-style-type: none"> • at 240 V 	0.5 ms

Switching Function

switching function	
<ul style="list-style-type: none"> • ON-delay 	No
<ul style="list-style-type: none"> • ON-delay/instantaneous contact 	No
<ul style="list-style-type: none"> • passing make contact 	No
<ul style="list-style-type: none"> • passing make contact/instantaneous contact 	No
<ul style="list-style-type: none"> • OFF delay 	No
switching function	
<ul style="list-style-type: none"> • flashing symmetrically with interval start/instantaneous 	No
<ul style="list-style-type: none"> • flashing symmetrically with interval start 	No
<ul style="list-style-type: none"> • flashing symmetrically with pulse start/instantaneous 	No
<ul style="list-style-type: none"> • flashing symmetrically with pulse start 	No
<ul style="list-style-type: none"> • flashing asymmetrically with interval start 	No
<ul style="list-style-type: none"> • flashing asymmetrically with pulse start 	No
switching function	
<ul style="list-style-type: none"> • star-delta circuit with delay time 	No
<ul style="list-style-type: none"> • star-delta circuit 	Yes
switching function with control signal	
<ul style="list-style-type: none"> • additive ON-delay 	No
<ul style="list-style-type: none"> • passing break contact 	No
<ul style="list-style-type: none"> • passing break contact/instantaneous 	No
<ul style="list-style-type: none"> • OFF delay 	No
<ul style="list-style-type: none"> • OFF delay/instantaneous 	No
<ul style="list-style-type: none"> • pulse delayed 	No
<ul style="list-style-type: none"> • pulse delayed/instantaneous 	No
<ul style="list-style-type: none"> • pulse-shaping 	No
<ul style="list-style-type: none"> • pulse-shaping/instantaneous 	No
<ul style="list-style-type: none"> • additive ON-delay/instantaneous 	No
<ul style="list-style-type: none"> • ON-delay/OFF-delay/instantaneous 	No
<ul style="list-style-type: none"> • passing make contact 	No
<ul style="list-style-type: none"> • passing make contact/instantaneous contact 	No
switching function of interval relay with control signal	
<ul style="list-style-type: none"> • retrotriggerable with deactivated control signal/instantaneous contact 	No
<ul style="list-style-type: none"> • retrotriggerable with switched-on control signal 	No

<ul style="list-style-type: none"> ● retrotriggerable with switched-on control signal/instantaneous contact 	No
<ul style="list-style-type: none"> ● retriggerable with deactivated control signal 	No
Short-circuit protection	
design of the fuse link for short-circuit protection of the auxiliary switch required	fuse gL/gG: 4 A
Auxiliary circuit	
material of switching contacts	AgSnO ₂
number of NC contacts	
<ul style="list-style-type: none"> ● delayed switching 	0
<ul style="list-style-type: none"> ● instantaneous contact 	0
number of NO contacts	
<ul style="list-style-type: none"> ● delayed switching 	1
<ul style="list-style-type: none"> ● instantaneous contact 	1
number of CO contacts	
<ul style="list-style-type: none"> ● delayed switching 	0
<ul style="list-style-type: none"> ● instantaneous contact 	0
operational current of auxiliary contacts at AC-15	
<ul style="list-style-type: none"> ● at 24 V 	3 A
<ul style="list-style-type: none"> ● at 250 V 	3 A
operational current of auxiliary contacts at DC-13	
<ul style="list-style-type: none"> ● at 24 V 	1 A
<ul style="list-style-type: none"> ● at 125 V 	0.2 A
<ul style="list-style-type: none"> ● at 250 V 	0.1 A
operating frequency with 3RT2 contactor maximum	5 000 1/h
contact reliability of auxiliary contacts	one incorrect switching operation of 100 million switching operations (17 V, 5 mA)
contact rating of auxiliary contacts according to UL	R300 / B300
switching capacity current with inductive load	0.01 ... 3 A
Inputs/ Outputs	
product function	
<ul style="list-style-type: none"> ● at the relay outputs switchover delayed/without delay 	No
<ul style="list-style-type: none"> ● non-volatile 	No
ampacity of the output relay at DC-13	
<ul style="list-style-type: none"> ● at 24 V 	1 A
<ul style="list-style-type: none"> ● at 125 V 	0.2 A
Electromagnetic compatibility	
EMC emitted interference according to IEC 61812-1	ambience A (industrial sector)
EMC immunity according to IEC 61812-1	corresponds to degree of severity 3
conducted interference	
<ul style="list-style-type: none"> ● due to burst according to IEC 61000-4-4 	2 kV network connection / 1 kV control connection
<ul style="list-style-type: none"> ● due to conductor-earth surge according to IEC 61000-4-5 	2 kV
<ul style="list-style-type: none"> ● due to conductor-conductor surge according to IEC 61000-4-5 	1 kV
field-based interference according to IEC 61000-4-3	10 V/m
electrostatic discharge according to IEC 61000-4-2	4 kV contact discharge / 8 kV air discharge
Safety related data	
category according to EN 954-1	none
Electrical Safety	
protection class IP on the front according to IEC 60529	IP20
type of insulation	Basic insulation
Connections/ Terminals	
product component removable terminal for auxiliary and control circuit	Yes
type of electrical connection	screw terminal
<ul style="list-style-type: none"> ● for auxiliary and control circuit 	screw-type terminals
type of connectable conductor cross-sections	
<ul style="list-style-type: none"> ● solid 	1x (0.5 ... 4 mm ²), 2x (0.5 ... 2.5 mm ²)
<ul style="list-style-type: none"> ● finely stranded with core end processing 	1x (0.5 ... 4 mm ²), 2x (0.5 ... 1.5 mm ²)
<ul style="list-style-type: none"> ● for AWG cables solid 	1x (20 ... 12), 2x (20 ... 14)

connectable conductor cross-section	
<ul style="list-style-type: none"> • solid • finely stranded with core end processing 	0.5 ... 4 mm ² 0.5 ... 4 mm ²
AWG number as coded connectable conductor cross section	
<ul style="list-style-type: none"> • solid 	20 ... 12
tightening torque	0.6 ... 0.8 N·m
design of the thread of the connection screw	M3

Installation/ mounting/ dimensions

mounting position	any
fastening method	screw and snap-on mounting onto 35 mm DIN rail
height	100 mm
width	22.5 mm
depth	90 mm
required spacing	
<ul style="list-style-type: none"> • with side-by-side mounting <ul style="list-style-type: none"> — forwards — backwards — upwards — downwards — at the side • for grounded parts <ul style="list-style-type: none"> — forwards — backwards — upwards — at the side — downwards • for live parts <ul style="list-style-type: none"> — forwards — backwards — upwards — downwards — at the side 	0 mm 0 mm 0 mm 0 mm 0 mm 0 mm 0 mm 0 mm 0 mm 0 mm 0 mm 0 mm 0 mm 0 mm 0 mm

Ambient conditions

installation altitude at height above sea level maximum	2 000 m
ambient temperature	
<ul style="list-style-type: none"> • during operation • during storage • during transport 	-25 ... +60 °C -40 ... +85 °C -40 ... +85 °C
relative humidity during operation	10 ... 95 %

Approvals Certificates

Environment	General Product Approval
--------------------	---------------------------------

[Environmental Confirmations](#)



EMV	Test Certificates	Maritime application
------------	--------------------------	-----------------------------



[Type Test Certificates/Test Report](#)



Maritime application	other
-----------------------------	--------------



Confirmation



Further information

Information on the packaging

<https://support.industry.siemens.com/cs/ww/en/view/109813875>

Information for data generation and storage

<https://support.industry.siemens.com/cs/ww/en/view/109995012>

Information- and Downloadcenter (Catalogs, Brochures,...)

<https://www.siemens.com/ic10>

Industry Mall (Online ordering system)

<https://mall.industry.siemens.com/mall/en/en/Catalog/product?mlfb=3RP2574-1NW30>

Cax online generator

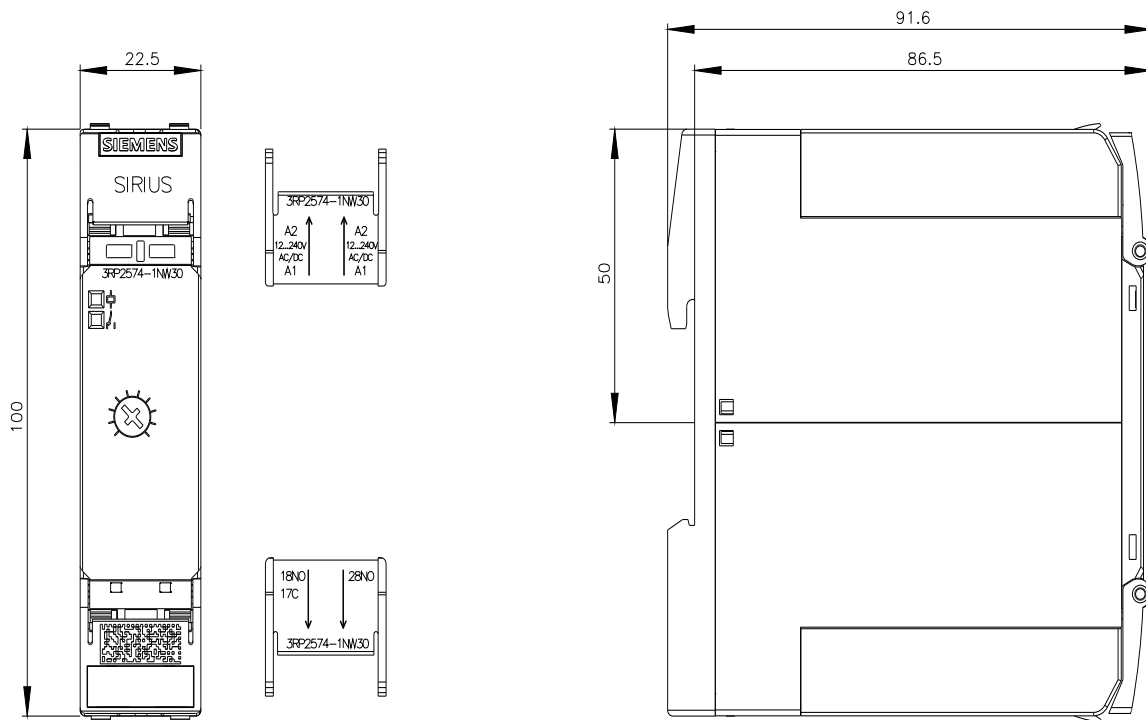
<https://support.automation.siemens.com/WW/CAXorder/default.aspx?lang=en&mlfb=3RP2574-1NW30>

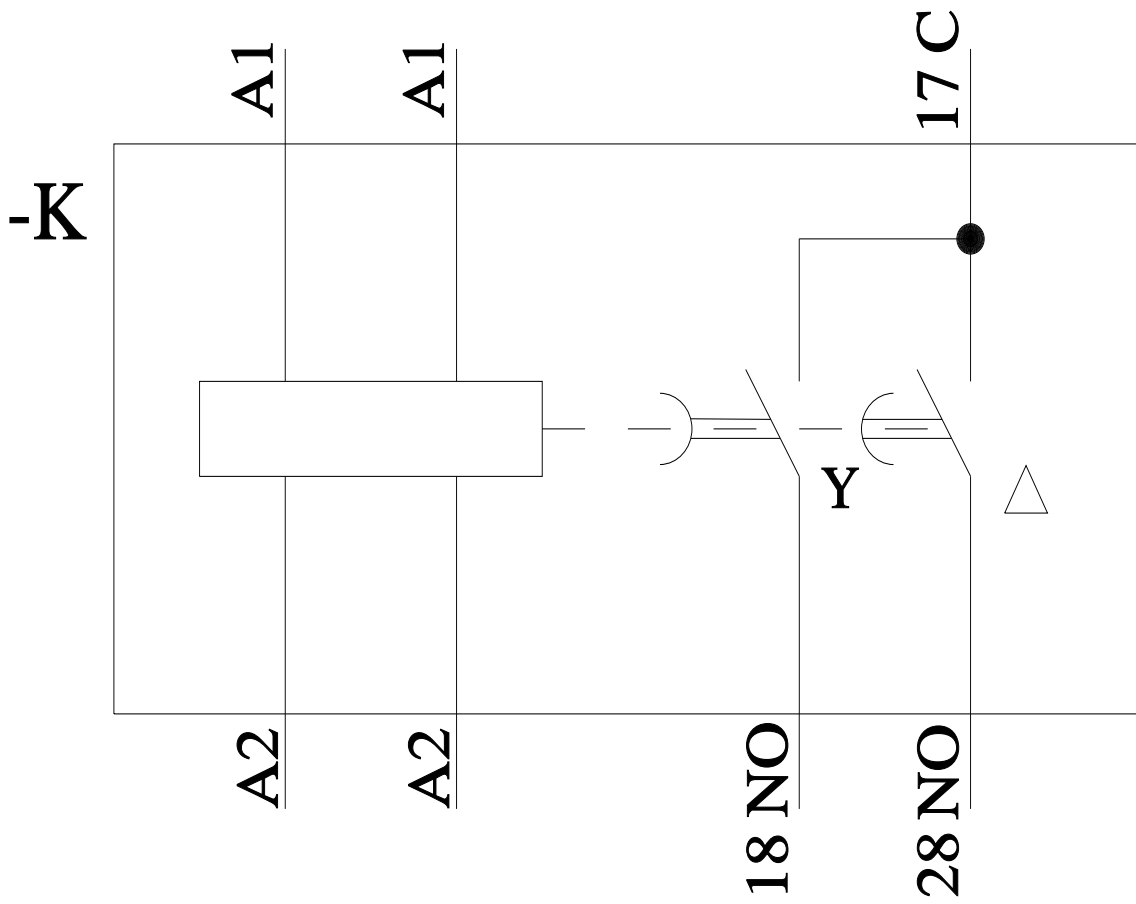
Service&Support (Manuals, Certificates, Characteristics, FAQs,...)

<https://support.industry.siemens.com/cs/ww/en/ps/3RP2574-1NW30>

Image database (product images, 2D dimension drawings, 3D models, device circuit diagrams, EPLAN macros, ...)

https://www.automation.siemens.com/bilddb/cax_de.aspx?mlfb=3RP2574-1NW30&lang=en





last modified:

5/29/2026 