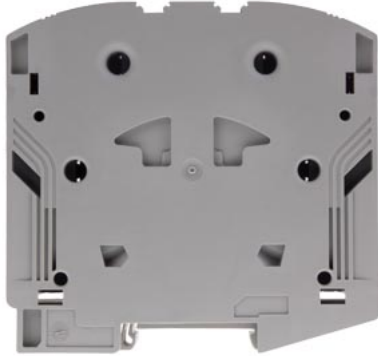


Terminal, iPo plug-in terminal, through-type terminal, 50 mm², grey



Model	
product brand name	SENTRON
product designation	Terminal blocks
design of the product	iPo through-type terminal
product version	through-type terminal, for mounting on 15 mm mounting rail acc. to IEC 60715
design of terminal terminal levels internally linked	No
General technical data	
terminal contact spacing	20 mm
operating voltage rated value	1 000 V
Protection class	
combustibility class according to UL 94	V0
Main circuit	
operational current rated value	150 A
Appearance	
color	grey
Product details	
product component required end cover plate	No
Number	
number of terminal levels	1
number of terminal points per terminal level	2
Connections	
connectable conductor cross-section solid	
• minimum	10 mm ²
• maximum	70 mm ²
connectable conductor cross-section stranded	
• minimum	10 mm ²
• maximum	70 mm ²
connectable conductor cross-section finely stranded	
• with core end processing minimum	10 mm ²
• with core end processing maximum	50 mm ²
• without core end processing minimum	10 mm ²
• without core end processing maximum	70 mm ²
type of connection 1	plug terminal connection
type of connection 2	plug terminal connection
position of the terminal	top
Mechanical Design	
height	101 mm
height with lowest-profile installation	105 mm
depth	96 mm

length	101 mm
fastening method	TH35 DIN rail
Net Weight	155 g
material of the insulating body	Other

Environmental conditions

ambient temperature during operation	
<ul style="list-style-type: none"> • minimum • maximum 	<p>-60 °C</p> <p>105 °C</p>

Approvals Certificates

Environment	General Product Approval
-------------	--------------------------

[Environmental Con-
firmations](#)

[Environmental Con-
firmations](#)



[Confirmation](#)

General Product Ap- proval	other
-------------------------------	-------



[Confirmation](#)



Further information

Information on the packaging

<https://support.industry.siemens.com/cs/ww/en/view/109813875>

Information for data generation and storage

<https://support.industry.siemens.com/cs/ww/en/view/109995012>

Information- and Downloadcenter (Catalogs, Brochures,...)

<https://www.siemens.com/lowvoltage/catalogs>

Industry Mall (Online ordering system)

<https://mall.industry.siemens.com/mall/en/en/Catalog/product?mlfb=8WH6000-0AN00>

Service&Support (Manuals, Certificates, Characteristics, FAQs,...)

<https://support.industry.siemens.com/cs/ww/en/ps/8WH6000-0AN00>

Image database (product images, 2D dimension drawings, 3D models, device circuit diagrams, ...)

https://www.automation.siemens.com/bilddb/cax_en.aspx?mlfb=8WH6000-0AN00

CAX-Online-Generator

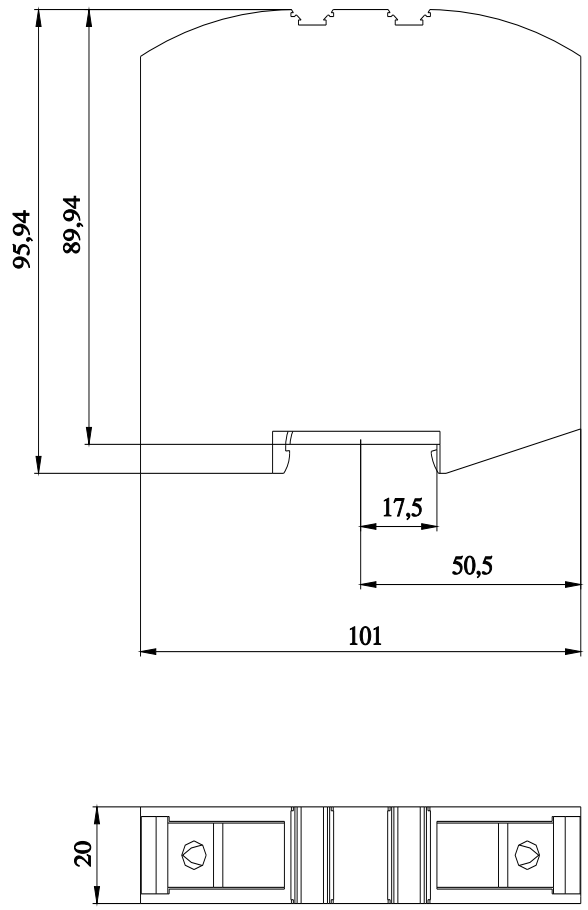
<https://www.siemens.com/cax>

Tender specifications

<https://www.siemens.com/specifications>

Characteristic curves

[https://curves.simaris.siemens.com/curves/<mmp_prod_noCOMP="HAUPT"></mmp_prod_no>](https://curves.simaris.siemens.com/curves/<mmp_prod_noCOMP=)



last modified:

5/26/2025 