

Terminal, iPo plug-in terminal, through-type terminal, 35 mm<sup>2</sup>, gray



Model	
product brand name	SENTRON
product designation	Terminal blocks
design of the product	iPo through-type terminal
product version	through-type terminal, for mounting on mounting rail acc. to IEC 60715
design of terminal terminal levels internally linked	No
General technical data	
terminal contact spacing	35 mm
operating voltage rated value	1 000 V
Protection class	
combustibility class according to UL 94	V0
Main circuit	
operational current rated value	125 A
Appearance	
color	grey
Product details	
product component required end cover plate	No
Number	
number of terminal levels	1
number of terminal points per terminal level	2
Connections	
connectable conductor cross-section solid	
• minimum	2.5 mm <sup>2</sup>
• maximum	35 mm <sup>2</sup>
connectable conductor cross-section stranded	
• minimum	6 mm <sup>2</sup>
• maximum	35 mm <sup>2</sup>
connectable conductor cross-section finely stranded	
• with core end processing minimum	2.5 mm <sup>2</sup>
• with core end processing maximum	35 mm <sup>2</sup>
• without core end processing minimum	2.5 mm <sup>2</sup>
• without core end processing maximum	35 mm <sup>2</sup>
type of connection 1	plug terminal connection
type of connection 2	plug terminal connection
position of the terminal	top
Mechanical Design	
height	91.6 mm
height with lowest-profile installation	62.3 mm
depth	68.3 mm

length	92 mm
fastening method	TH35 DIN rail
Net Weight	95 g
material of the insulating body	Other

#### Environmental conditions

ambient temperature during operation	
<ul style="list-style-type: none"> <li>• minimum</li> <li>• maximum</li> </ul>	-60 °C 105 °C

#### Approvals Certificates

Environment	General Product Approval
-------------	--------------------------

[Environmental Con-  
firmations](#)

[Environmental Con-  
firmations](#)



[Confirmation](#)

General Product Ap- proval	other
-------------------------------	-------



[Confirmation](#)



#### Further information

Information on the packaging

<https://support.industry.siemens.com/cs/ww/en/view/109813875>

Information for data generation and storage

<https://support.industry.siemens.com/cs/ww/en/view/109995012>

Information- and Downloadcenter (Catalogs, Brochures,...)

<https://www.siemens.com/lowvoltage/catalogs>

Industry Mall (Online ordering system)

<https://mall.industry.siemens.com/mall/en/en/Catalog/product?mlfb=8WH6000-0AM00>

Service&Support (Manuals, Certificates, Characteristics, FAQs,...)

<https://support.industry.siemens.com/cs/ww/en/ps/8WH6000-0AM00>

Image database (product images, 2D dimension drawings, 3D models, device circuit diagrams, ...)

[https://www.automation.siemens.com/bilddb/cax\\_en.aspx?mlfb=8WH6000-0AM00](https://www.automation.siemens.com/bilddb/cax_en.aspx?mlfb=8WH6000-0AM00)

CAX-Online-Generator

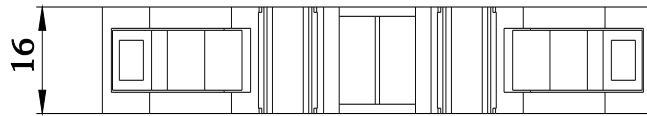
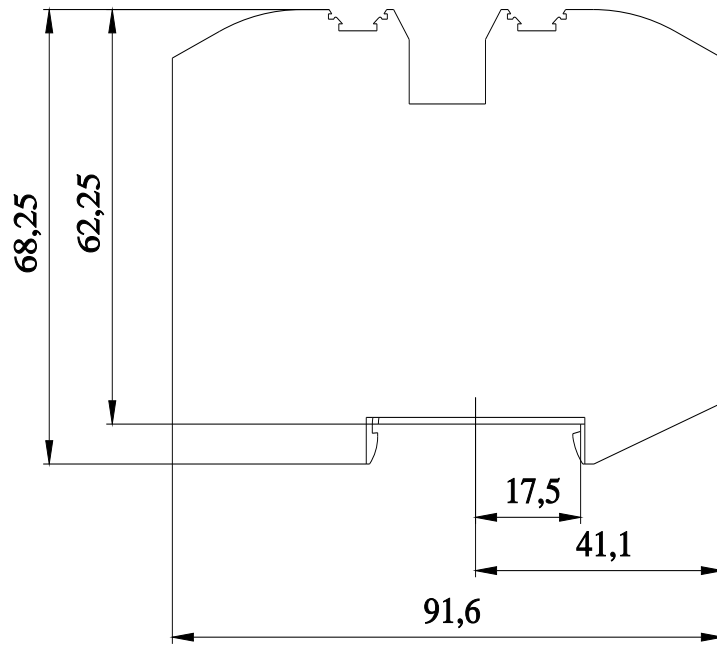
<https://www.siemens.com/cax>

Tender specifications

<https://www.siemens.com/specifications>

Characteristic curves

[https://curves.simaris.siemens.com/curves/<mmp\\_prod\\_noCOMP="HAUPT"></mmp\\_prod\\_no>](https://curves.simaris.siemens.com/curves/<mmp_prod_noCOMP=)



last modified:

5/26/2025 

