



Terminal, screw terminal, through-type terminal, 35 mm<sup>2</sup>, gray

Model	
product brand name	SENTRON
product designation	Terminal blocks
design of the product	through-type terminal
product version	through-type terminal, for mounting on mounting rail acc. to IEC 60715
design of terminal terminal levels internally linked	No
General technical data	
terminal contact spacing	16 mm
operating voltage rated value	1 000 V
Protection class	
combustibility class according to UL 94	V0
Main circuit	
operational current rated value	125 A
Appearance	
color	grey
Product details	
product component required end cover plate	No
Number	
number of terminal levels	1
number of terminal points per terminal level	2
Connections	
connectable conductor cross-section solid	
• minimum	1.5 mm <sup>2</sup>
• maximum	50 mm <sup>2</sup>
connectable conductor cross-section stranded	
• minimum	16 mm <sup>2</sup>
• maximum	1.5 mm <sup>2</sup>
connectable conductor cross-section finely stranded	
• with core end processing minimum	1.5 mm <sup>2</sup>
• with core end processing maximum	35 mm <sup>2</sup>
• without core end processing minimum	1.5 mm <sup>2</sup>
• without core end processing maximum	50 mm <sup>2</sup>
tightening torque with screw-type terminals	
• minimum	3.2 N·m
• maximum	4 N·m
type of connection 1	screw-type terminal
type of connection 2	screw-type terminal
position of the terminal	lateral

Mechanical Design	
height	63.2 mm
height with lowest-profile installation	65.7 mm
depth	65 mm
length	60 mm
fastening method	TH35 DIN rail
Net Weight	60 g
material of the insulating body	PA

Environmental conditions	
ambient temperature during operation	
<ul style="list-style-type: none"> <li>• minimum</li> <li>• maximum</li> </ul>	-60 °C 105 °C

Approvals Certificates	
Environment	General Product Approval

[Environmental Con-  
firmations](#)



[Confirmation](#)



other

[Confirmation](#)

[Miscellaneous](#)



#### Further information

Information on the packaging

<https://support.industry.siemens.com/cs/ww/en/view/109813875>

Information for data generation and storage

<https://support.industry.siemens.com/cs/ww/en/view/109995012>

Information- and Downloadcenter (Catalogs, Brochures,...)

<https://www.siemens.com/lowvoltage/catalogs>

Industry Mall (Online ordering system)

<https://mall.industry.siemens.com/mall/en/en/Catalog/product?mlfb=8WH1000-0AM00>

Service&Support (Manuals, Certificates, Characteristics, FAQs,...)

<https://support.industry.siemens.com/cs/ww/en/ps/8WH1000-0AM00>

Image database (product images, 2D dimension drawings, 3D models, device circuit diagrams, ...)

[https://www.automation.siemens.com/bilddb/cax\\_en.aspx?mlfb=8WH1000-0AM00](https://www.automation.siemens.com/bilddb/cax_en.aspx?mlfb=8WH1000-0AM00)

CAX-Online-Generator

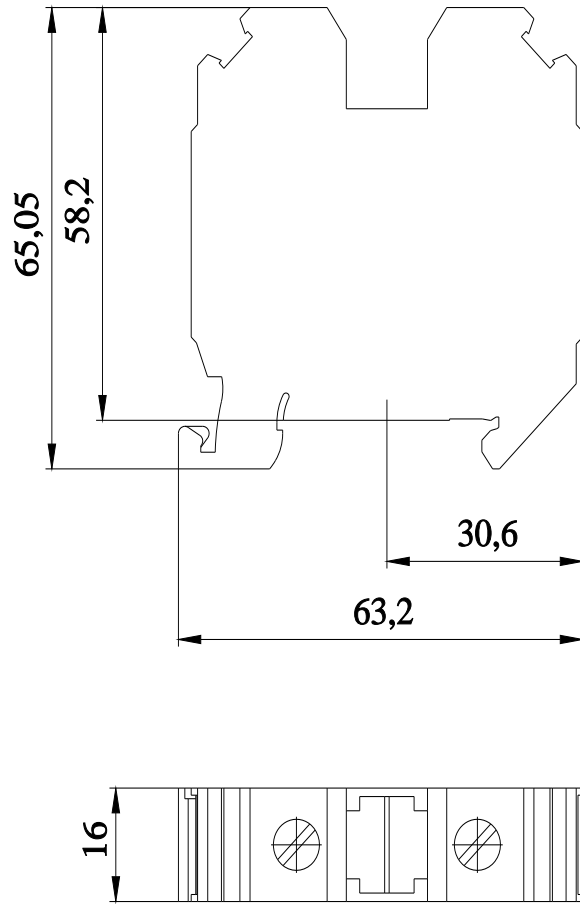
<https://www.siemens.com/cax>

Tender specifications

<https://www.siemens.com/specifications>

Characteristic curves

[https://curves.simaris.siemens.com/curves/<mmp\\_prod\\_noCOMP="HAUPT"></mmp\\_prod\\_no>](https://curves.simaris.siemens.com/curves/<mmp_prod_noCOMP=)



---

last modified:

5/9/2025 

