

Terminal, screw terminal, through-type terminal, 16 mm², blue

Model	
product brand name	SENTRON
product designation	Terminal blocks
design of the product	through-type terminal
product version	through-type terminal, for mounting on mounting rail acc. to IEC 60715
design of terminal terminal levels internally linked	No
General technical data	
terminal contact spacing	12 mm
operating voltage rated value	1 000 V
Protection class	
combustibility class according to UL 94	V0
Main circuit	
operational current rated value	76 A
Appearance	
color	blue
Product details	
product component required end cover plate	Yes
Number	
number of terminal levels	1
number of terminal points per terminal level	2
Connections	
connectable conductor cross-section solid	
• minimum	1.5 mm ²
• maximum	25 mm ²
connectable conductor cross-section stranded	
• minimum	6 mm ²
• maximum	1 mm ²
connectable conductor cross-section finely stranded	
• with core end processing minimum	1 mm ²
• with core end processing maximum	16 mm ²
• without core end processing minimum	1.5 mm ²
• without core end processing maximum	25 mm ²
tightening torque with screw-type terminals	
• minimum	2.5 N·m
• maximum	3 N·m
type of connection 1	screw-type terminal
type of connection 2	screw-type terminal
position of the terminal	lateral

Mechanical Design	
height	55.5 mm
height with lowest-profile installation	55 mm
depth	54.4 mm
length	55 mm
fastening method	TH35 DIN rail
Net Weight	30 g
material of the insulating body	PA

Environmental conditions	
ambient temperature during operation	
<ul style="list-style-type: none"> • minimum • maximum 	-60 °C 105 °C

Approvals Certificates	
Environment	General Product Approval

[Environmental Con-
firmations](#)

[Environmental Con-
firmations](#)



[Confirmation](#)

General Product Ap- proval	other
-------------------------------	-------



[Confirmation](#)



[Miscellaneous](#)

Further information

Information on the packaging

<https://support.industry.siemens.com/cs/ww/en/view/109813875>

Information for data generation and storage

<https://support.industry.siemens.com/cs/ww/en/view/109995012>

Information- and Downloadcenter (Catalogs, Brochures,...)

<https://www.siemens.com/lowvoltage/catalogs>

Industry Mall (Online ordering system)

<https://mall.industry.siemens.com/mall/en/en/Catalog/product?mlfb=8WH1000-0AK01>

Service&Support (Manuals, Certificates, Characteristics, FAQs,...)

<https://support.industry.siemens.com/cs/ww/en/ps/8WH1000-0AK01>

Image database (product images, 2D dimension drawings, 3D models, device circuit diagrams, ...)

https://www.automation.siemens.com/bilddb/cax_en.aspx?mlfb=8WH1000-0AK01

CAx-Online-Generator

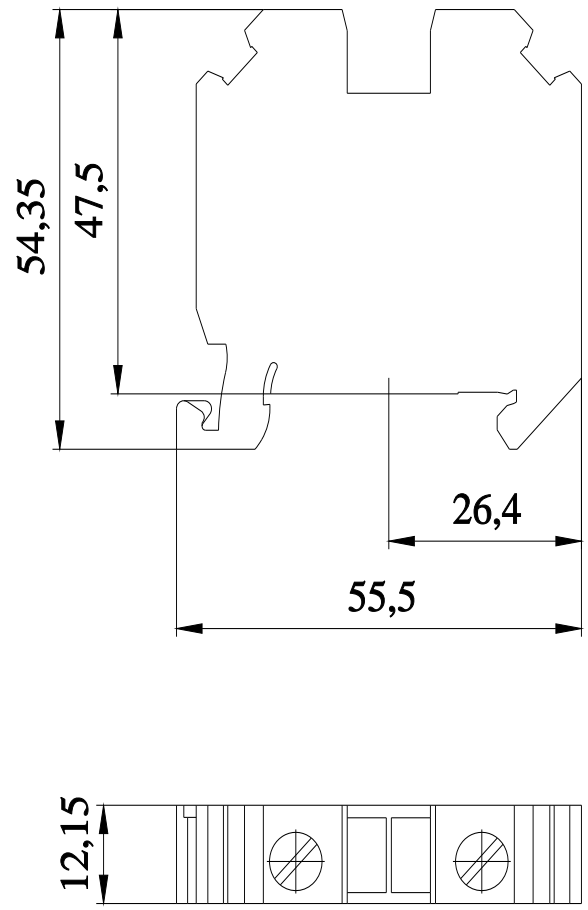
<https://www.siemens.com/cax>

Tender specifications

<https://www.siemens.com/specifications>

Characteristic curves

[https://curves.simaris.siemens.com/curves/<mmp_prod_noCOMP="HAUPT"></mmp_prod_no>](https://curves.simaris.siemens.com/curves/<mmp_prod_noCOMP=)



last modified:

5/9/2025

