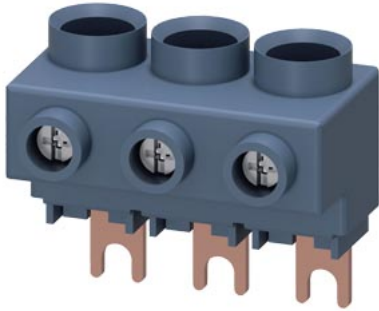


3-phase supply terminal for 3-phase busbar connection from top Size S00/S0






<b>product brand name</b>	SIRIUS
<b>product category</b>	Plugs, adapters and terminals
<b>product designation</b>	3-phase supply terminal
<b>design of the product</b>	from above, size S0/S00
<b>product type designation</b>	3RV29
<b>General technical data</b>	
<b>certificate of suitability</b>	CE / UL / CSA / CCC
<b>size of the circuit-breaker</b>	S00, S0
insulation voltage with degree of pollution 3 at AC rated value	690 V
protection class IP on the front according to IEC 60529	IP20
<b>Substance Prohibitance (day/month/year)</b>	10/01/2009
<b>Net Weight</b>	0.045 kg
<b>ampacity maximum</b>	63 A
<b>Ambient conditions</b>	
<b>ambient temperature</b>	
• during operation	-20 ... +60 °C
• during storage	-50 ... +80 °C
<b>Electrical Safety</b>	
<b>protection class IP on the front according to IEC 60529</b>	IP20
<b>touch protection on the front according to IEC 60529</b>	finger-safe, for vertical contact from the front
<b>Installation/ mounting/ dimensions</b>	
<b>height</b>	39 mm
<b>width</b>	45 mm
<b>depth</b>	27 mm
<b>Connections/ Terminals</b>	
type of electrical connection for main current circuit	screw-type terminals
<b>type of connectable conductor cross-sections</b>	
• for main contacts	
— solid	1x (2.5 ... 16 mm <sup>2</sup> )
— stranded	1x (2.5 ... 25 mm <sup>2</sup> )
— finely stranded with core end processing	1x (2.5 ... 16 mm <sup>2</sup> )
• for AWG cables for main contacts	1x (10 ... 4)
<b>connectable conductor cross-section for main contacts</b>	
• solid or stranded	2.5 ... 16 mm <sup>2</sup>
• stranded	2.5 ... 25 mm <sup>2</sup>
• finely stranded with core end processing	2.5 ... 16 mm <sup>2</sup>
<b>AWG number as coded connectable conductor cross section for main contacts</b>	10 ... 4
<b>Approvals Certificates</b>	

Environmental Product Declaration	
<ul style="list-style-type: none"> <li>• global warming potential [CO2 eq] / during manufacturing</li> <li>• global warming potential [CO2 eq] / during operation</li> <li>• global warming potential [CO2 eq] / after end of life</li> <li>• global warming potential [CO2 eq] / total</li> </ul>	<p>0.161 kg</p> <p>139 kg</p> <p>-0.0558 kg</p> <p>139 kg</p>

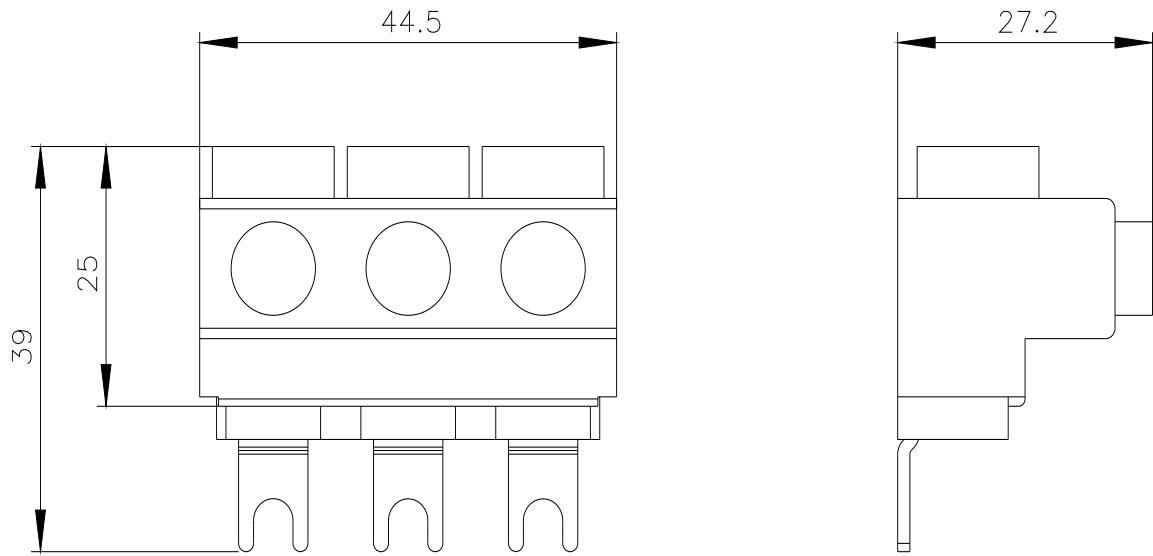
Environment	General Product Approval				
<a href="#">Environmental Confirmations</a>					

Test Certificates	Maritime application				
<a href="#">Type Test Certificates/Test Report</a>	<a href="#">Special Test Certificate</a>				

Maritime application	other				
			<a href="#">Confirmation</a>	<a href="#">Miscellaneous</a>	<a href="#">Confirmation</a>

other	Railway
<a href="#">Miscellaneous</a>	

Further information
<p><b>Information on the packaging</b>  <a href="https://support.industry.siemens.com/cs/ww/en/view/109813875">https://support.industry.siemens.com/cs/ww/en/view/109813875</a></p> <p><b>Information for data generation and storage</b>  <a href="https://support.industry.siemens.com/cs/ww/en/view/109995012">https://support.industry.siemens.com/cs/ww/en/view/109995012</a></p> <p><b>Information- and Downloadcenter (Catalogs, Brochures,...)</b>  <a href="https://www.siemens.com/ic10">https://www.siemens.com/ic10</a></p> <p><b>Industry Mall (Online ordering system)</b>  <a href="https://mall.industry.siemens.com/mall/en/en/Catalog/product?mlfb=3RV2925-5AB">https://mall.industry.siemens.com/mall/en/en/Catalog/product?mlfb=3RV2925-5AB</a></p> <p><b>Cax online generator</b>  <a href="https://support.automation.siemens.com/WW/CAXorder/default.aspx?lang=en&amp;mlfb=3RV2925-5AB">https://support.automation.siemens.com/WW/CAXorder/default.aspx?lang=en&amp;mlfb=3RV2925-5AB</a></p> <p><b>Service&amp;Support (Manuals, Certificates, Characteristics, FAQs,...)</b>  <a href="https://support.industry.siemens.com/cs/ww/en/ps/3RV2925-5AB">https://support.industry.siemens.com/cs/ww/en/ps/3RV2925-5AB</a></p> <p><b>Image database (product images, 2D dimension drawings, 3D models, device circuit diagrams, EPLAN macros, ...)</b>  <a href="https://www.automation.siemens.com/bilddb/cax_de.aspx?mlfb=3RV2925-5AB&amp;lang=en">https://www.automation.siemens.com/bilddb/cax_de.aspx?mlfb=3RV2925-5AB&amp;lang=en</a></p>



---

last modified:

4/2/2025 