



locking device, OFF pos. Ronis against unauthorized closing in op. panel, w/o rot. op. mec. accessory for circuit breaker 3VA27 (handle)

Model		
product brand name	SETRON	
product designation	locking provision, OFF position,	
design of the product	Ronis lock, to prevent unauthorized activation, in the operator panel, without rotary operator	
Accessories		
accessories	Accessories for 3VA27 circuit breakers	
Mechanical Design		
height	61 mm	
width	90 mm	
depth	140 mm	
Net Weight	101 g	
Approvals Certificates		
Environment	General Product Approval	Maritime application

[Environmental Confirmations](#)



[Confirmation](#)



other

[Confirmation](#)



### Further information

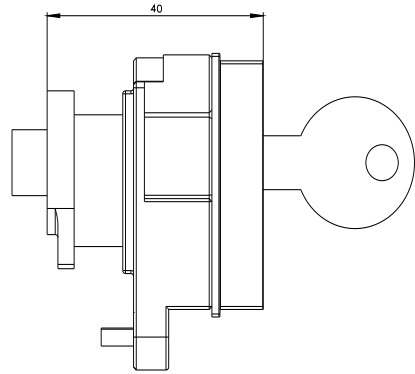
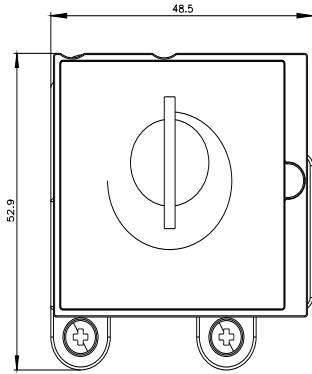
- Information on the packaging  
<https://support.industry.siemens.com/cs/ww/en/view/109813875>
- Information for data generation and storage  
<https://support.industry.siemens.com/cs/ww/en/view/109995012>
- Information- and Downloadcenter (Catalogs, Brochures,...)  
<https://www.siemens.com/lowvoltage/catalogs>
- Industry Mall (Online ordering system)  
<https://mall.industry.siemens.com/mall/en/en/Catalog/product?mlfb=3VW9727-0LF10>
- Service&Support (Manuals, Certificates, Characteristics, FAQs,...)  
<https://support.industry.siemens.com/cs/ww/en/ps/3VW9727-0LF10>
- Image database (product images, 2D dimension drawings, 3D models, device circuit diagrams, ...)  
[https://www.automation.siemens.com/bilddb/cax\\_en.aspx?mlfb=3VW9727-0LF10](https://www.automation.siemens.com/bilddb/cax_en.aspx?mlfb=3VW9727-0LF10)
- CAX-Online-Generator  
<https://www.siemens.com/cax>

**Tender specifications**

<https://www.siemens.com/specifications>

**Characteristic curves**

[https://curves.simaris.siemens.com/curves/<mmp\\_prod\\_noCOMP='HAUPT'></mmp\\_prod\\_no>](https://curves.simaris.siemens.com/curves/<mmp_prod_noCOMP='HAUPT'></mmp_prod_no>)



---

last modified:

5/24/2025 

