



locking provision, OFF position Ronis against unauthorized closing in the operator panel accessories for circuit breakers 3WL10 / 3VA27 (SE)

Model	
product brand name	SETRON
product designation	locking provision, OFF position,
design of the product	Ronis lock, to prevent unauthorized activation, in the operator panel
Accessories	
accessories	Accessories for 3WL10 / 3VA27 circuit breakers
Mechanical Design	
height	61 mm
width	90 mm
depth	140 mm
Net Weight	225 g

Approvals Certificates		
Environment	General Product Approval	Maritime application

[Environmental Con-
firmations](#)



[Confirmation](#)



EG-Konf.



LRS

other

[Confirmation](#)



Further information

Information on the packaging

<https://support.industry.siemens.com/cs/ww/en/view/109813875>

Information for data generation and storage

<https://support.industry.siemens.com/cs/ww/en/view/109995012>

Information- and Downloadcenter (Catalogs, Brochures,...)

<https://www.siemens.com/lowvoltage/catalogs>

Industry Mall (Online ordering system)

<https://mall.industry.siemens.com/mall/en/en/Catalog/product?mlfb=3VW9011-0BA33>

Service&Support (Manuals, Certificates, Characteristics, FAQs,...)

<https://support.industry.siemens.com/cs/ww/en/ps/3VW9011-0BA33>

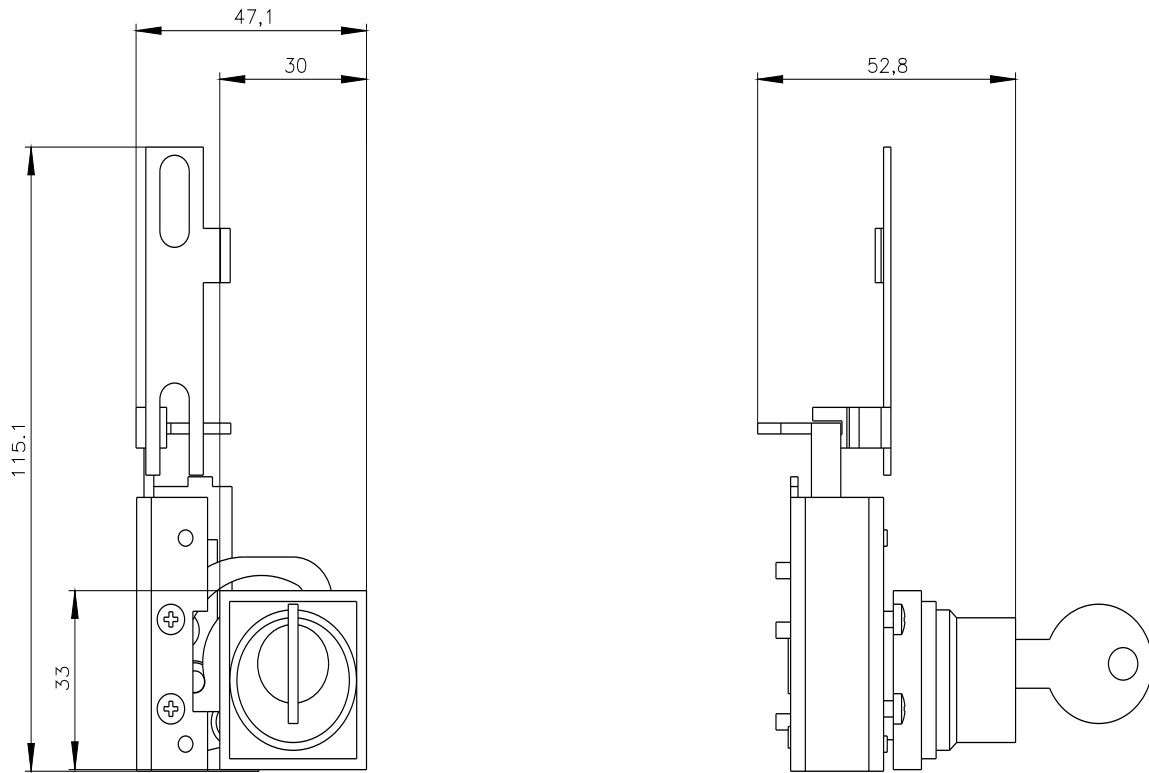
Image database (product images, 2D dimension drawings, 3D models, device circuit diagrams, ...)

https://www.automation.siemens.com/bilddb/cax_en.aspx?mlfb=3VW9011-0BA33

CAX-Online-Generator

<https://www.siemens.com/cax>

Tender specifications



last modified:

4/4/2025 

