

front, broadened main connection pieces for mounting on front main connection 4 units for fixed-mounted circuit breaker accessories for circuit breakers 3WL10 / 3VA27



Model		
product brand name	SETRON	
product designation	main circuit connections, front offset	
design of the product	for fixed-mounted breakers, 4-pole	
Accessories		
accessories	Accessories for 3WL10 / 3VA27 circuit breakers	
Mechanical Design		
height	61 mm	
width	90 mm	
depth	140 mm	
Net Weight	6.5 kg	
Approvals Certificates		
Environment	General Product Approval	Maritime application

[Environmental Con-
firmations](#)



[Confirmation](#)



EG-Konf.



LRS

other

[Confirmation](#)



Further information

Information on the packaging

<https://support.industry.siemens.com/cs/ww/en/view/109813875>

Information for data generation and storage

<https://support.industry.siemens.com/cs/ww/en/view/109995012>

Information- and Downloadcenter (Catalogs, Brochures,...)

<https://www.siemens.com/lowvoltage/catalogs>

Industry Mall (Online ordering system)

<https://mall.industry.siemens.com/mall/en/en/Catalog/product?mlfb=3VW9011-0AL74>

Service&Support (Manuals, Certificates, Characteristics, FAQs,...)

<https://support.industry.siemens.com/cs/ww/en/ps/3VW9011-0AL74>

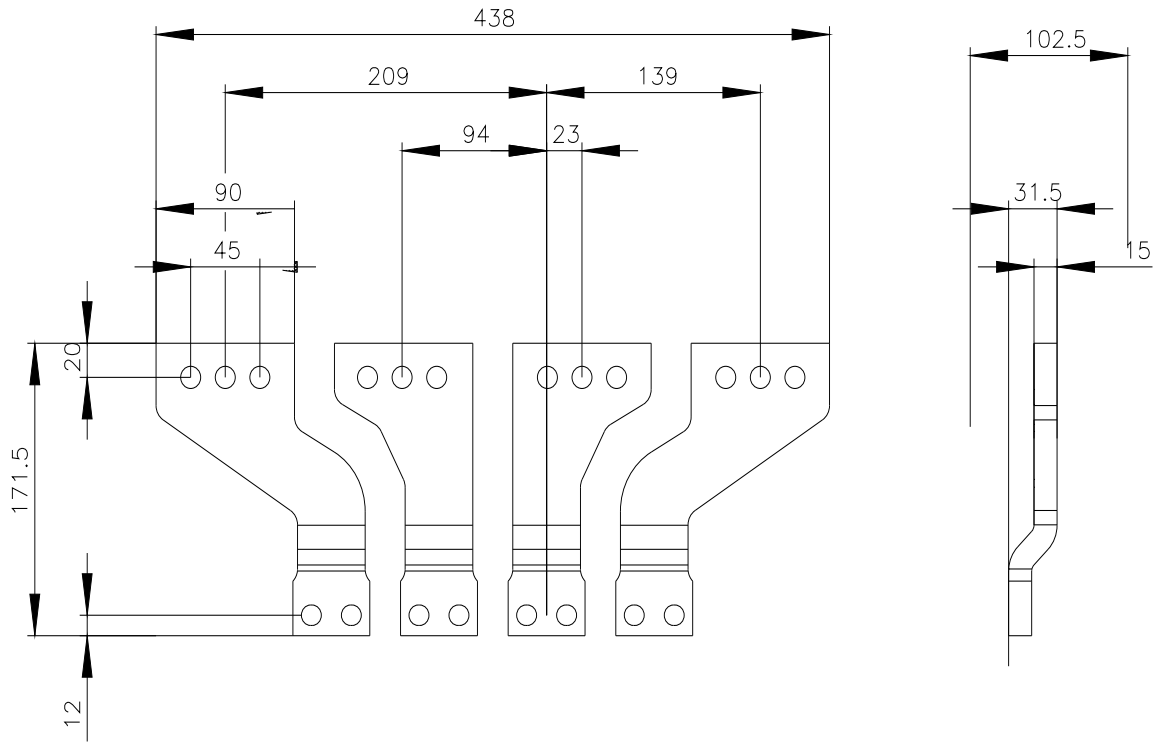
Image database (product images, 2D dimension drawings, 3D models, device circuit diagrams, ...)

https://www.automation.siemens.com/bilddb/cax_en.aspx?mlfb=3VW9011-0AL74

CAX-Online-Generator

<https://www.siemens.com/cax>

Tender specifications



last modified:

4/4/2025 