



motorized operating mechanism MO 24...30 V AC/DC accessories for circuit breakers 3WL10 / 3VA27 (SE)

Model		
product brand name	SETRON	
product designation	motor operator MO	
design of the product	24...30 V AC/DC	
Accessories		
accessories	Accessories for 3WL10 / 3VA27 circuit breakers	
Mechanical Design		
height	61 mm	
width	90 mm	
depth	140 mm	
Net Weight	790 g	
Approvals Certificates		
Environment	General Product Approval	Maritime application

[Environmental Con-  
firmations](#)



[Confirmation](#)



other

[Confirmation](#)



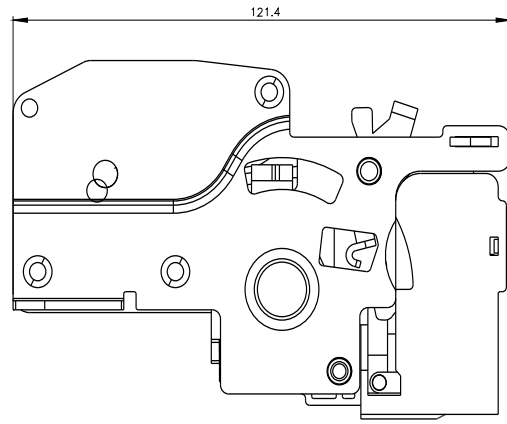
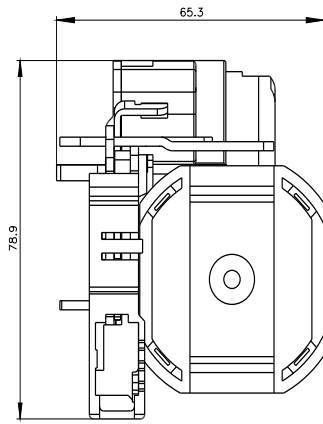
### Further information

- Information on the packaging  
<https://support.industry.siemens.com/cs/ww/en/view/109813875>
- Information for data generation and storage  
<https://support.industry.siemens.com/cs/ww/en/view/109995012>
- Information- and Downloadcenter (Catalogs, Brochures,...)  
<https://www.siemens.com/lowvoltage/catalogs>
- Industry Mall (Online ordering system)  
<https://mall.industry.siemens.com/mall/en/en/Catalog/product?mlfb=3VW9011-0AF01>
- Service&Support (Manuals, Certificates, Characteristics, FAQs,...)  
<https://support.industry.siemens.com/cs/ww/en/ps/3VW9011-0AF01>
- Image database (product images, 2D dimension drawings, 3D models, device circuit diagrams, ...)  
[https://www.automation.siemens.com/bilddb/cax\\_en.aspx?mlfb=3VW9011-0AF01](https://www.automation.siemens.com/bilddb/cax_en.aspx?mlfb=3VW9011-0AF01)
- CAX-Online-Generator  
<https://www.siemens.com/cax>
- Tender specifications

<https://www.siemens.com/specifications>

Characteristic curves

[https://curves.simaris.siemens.com/curves/<mmp\\_prod\\_noCOMP='HAUPT'></mmp\\_prod\\_no>](https://curves.simaris.siemens.com/curves/<mmp_prod_noCOMP='HAUPT'></mmp_prod_no>)



---

last modified:

12/10/2025 