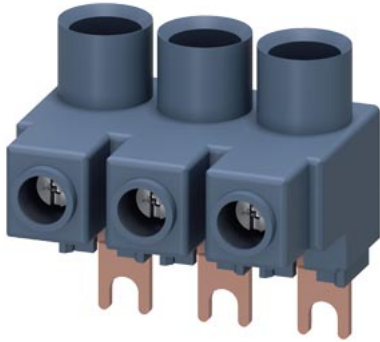


3-phase supply terminal for 3-phase busbar for self-protection combination motor controller (type E) for circuit breaker 3RV Size S00/S0




product brand name	SIRIUS
product category	Plugs, adapters and terminals
product designation	3-phase supply terminal
design of the product	from above, Type E, size S0/S00
product type designation	3RV29
General technical data	
certificate of suitability	CE / UL / CSA / CCC
size of the circuit-breaker	S00, S0
insulation voltage with degree of pollution 3 at AC rated value	690 V
protection class IP on the front according to IEC 60529	IP20
Substance Prohibitance (day/month/year)	10/01/2009
Net Weight	57 g
ampacity maximum	63 A
Ambient conditions	
ambient temperature	
• during operation	-20 ... +60 °C
• during storage	-50 ... +80 °C
Electrical Safety	
protection class IP on the front according to IEC 60529	IP20
touch protection on the front according to IEC 60529	finger-safe, for vertical contact from the front
Installation/ mounting/ dimensions	
height	45 mm
width	44 mm
depth	32 mm
Connections/ Terminals	
type of electrical connection for main current circuit	screw-type terminals
type of connectable conductor cross-sections	
• for main contacts	
— solid	1x (2.5 ... 16 mm ²)
— stranded	1x (2.5 ... 25 mm ²)
— finely stranded with core end processing	1x (2.5 ... 16 mm ²)
• for AWG cables for main contacts	1x (10 ... 4)
connectable conductor cross-section for main contacts	
• solid or stranded	2.5 ... 16 mm ²
• stranded	2.5 ... 25 mm ²
• finely stranded with core end processing	2.5 ... 16 mm ²
AWG number as coded connectable conductor cross section for main contacts	10 ... 4
Approvals Certificates	

Environmental Product Declaration	
<ul style="list-style-type: none"> • global warming potential [CO2 eq] / during manufacturing • global warming potential [CO2 eq] / during operation • global warming potential [CO2 eq] / after end of life • global warming potential [CO2 eq] / total 	<p>0.161 kg</p> <p>139 kg</p> <p>-0.0558 kg</p> <p>139 kg</p>

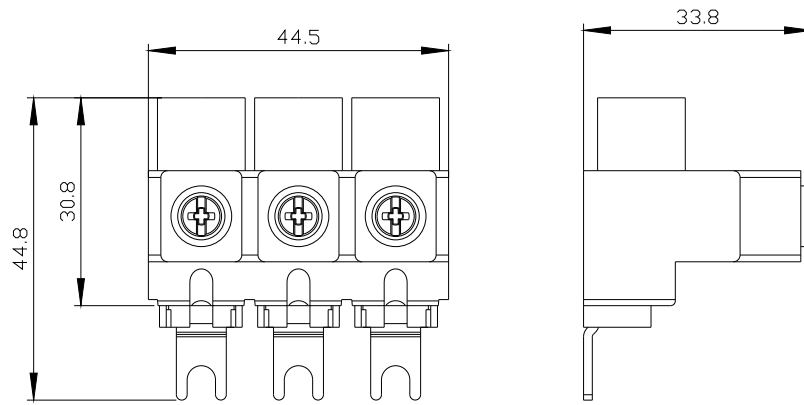
Environment	General Product Approval				
Environmental Confirmations					

Test Certificates	Maritime application				
Type Test Certificates/Test Report	Special Test Certificate				

Maritime application	other				
			Miscellaneous	Confirmation	Miscellaneous

other	Railway
	Special Test Certificate

Further information
<p>Information on the packaging https://support.industry.siemens.com/cs/ww/en/view/109813875</p> <p>Information for data generation and storage https://support.industry.siemens.com/cs/ww/en/view/109995012</p> <p>Information- and Downloadcenter (Catalogs, Brochures,...) https://www.siemens.com/ic10</p> <p>Industry Mall (Online ordering system) https://mall.industry.siemens.com/mall/en/en/Catalog/product?mlfb=3RV2925-5EB</p> <p>Cax online generator https://support.automation.siemens.com/WW/CAXorder/default.aspx?lang=en&mlfb=3RV2925-5EB</p> <p>Service&Support (Manuals, Certificates, Characteristics, FAQs,...) https://support.industry.siemens.com/cs/ww/en/ps/3RV2925-5EB</p> <p>Image database (product images, 2D dimension drawings, 3D models, device circuit diagrams, EPLAN macros, ...) https://www.automation.siemens.com/bilddb/cax_de.aspx?mlfb=3RV2925-5EB&lang=en</p>



last modified:

4/2/2025 