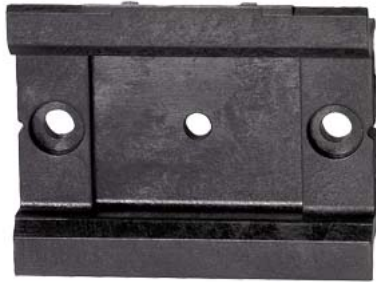


Mounting rail 45 mm for mounting on 3-phase busbars 3RV2917-1/4



product brand name	SIRIUS
product category	Infeed systems
product designation	Mounting rail
product type designation	3RV19
suitability for use	circuit-breakers 3RV2

**General technical data**

size of the circuit-breaker	S00, S0
Substance Prohibittance (day/month/year)	07/01/2006
Net Weight	0.013 kg

**Short-circuit protection**

short-circuit rating	see table in the operating instructions
----------------------	---

**Installation/ mounting/ dimensions**

fastening method	screw fixing
------------------	--------------

**Approvals Certificates**

Environment	General Product Approval	Test Certificates	Maritime application
-------------	--------------------------	-------------------	----------------------

[Environmental Confirmations](#)



[Special Test Certificate](#)



Maritime application	other
----------------------	-------



[Miscellaneous](#)

[Confirmation](#)



**Further information**

Information on the packaging

<https://support.industry.siemens.com/cs/ww/en/view/109813875>

Information for data generation and storage

<https://support.industry.siemens.com/cs/ww/en/view/109995012>

Information- and Downloadcenter (Catalogs, Brochures,...)

<https://www.siemens.com/ic10>

Industry Mall (Online ordering system)

<https://mall.industry.siemens.com/mall/en/en/Catalog/product?mlfb=3RV1917-7B>

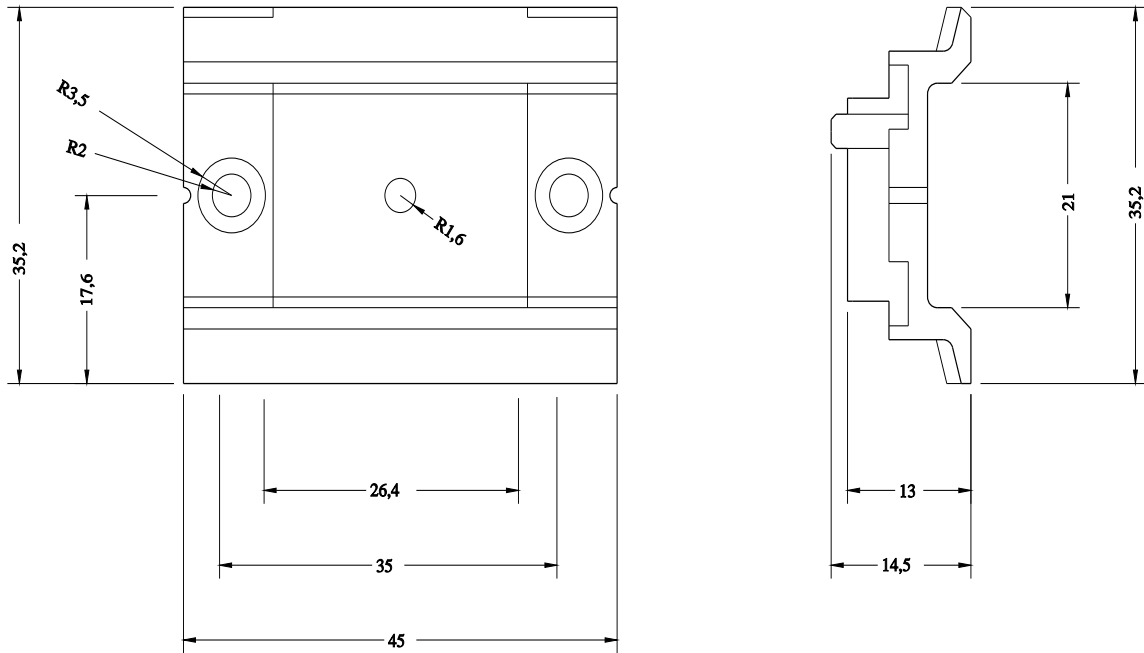
Cax online generator

<https://support.automation.siemens.com/WW/CAXorder/default.aspx?lang=en&mlfb=3RV1917-7B>

Service&Support (Manuals, Certificates, Characteristics, FAQs,...)

<https://support.industry.siemens.com/cs/ww/en/ps/3RV1917-7B>

Image database (product images, 2D dimension drawings, 3D models, device circuit diagrams, EPLAN macros, ...)



last modified:

10/18/2025 