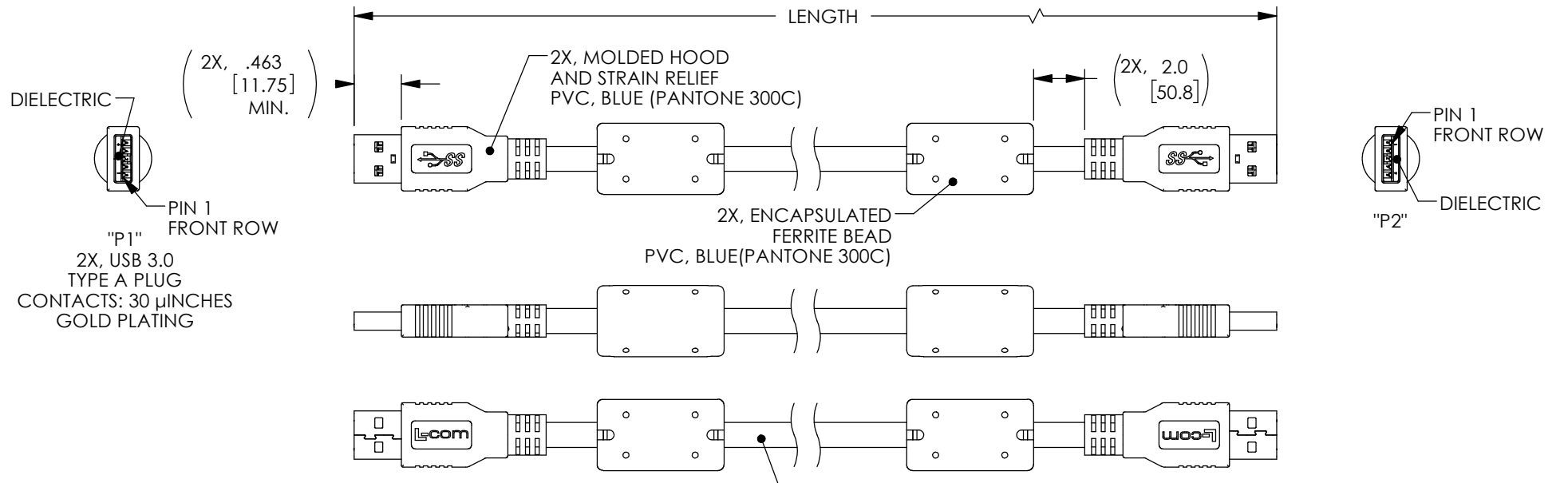


THE INFORMATION CONTAINED IN THIS DRAWING IS THE SOLE PROPERTY OF L-COM, INC. ANY REPRODUCTION IN PART OR WHOLE WITHOUT THE WRITTEN PERMISSION OF L-COM, INC. IS PROHIBITED.

REVISIONS			
REV	DESCRIPTION	DATE	APPROVED
A	REV A DRAWING RELEASED	03/06/18	JLABOY



"P1"	WIRING MAP	"P2"
1	RED	1
2	WHITE	2
3	GREEN	3
4	BLACK	4
5	BLUE	8
6	YELLOW	9
7	DRAIN WIRE	7
8	PURPLE	5
9	ORANGE	6
SHELL	BRAID	SHELL

UL STYLE 2725, (2) TWISTED PAIR, 26AWG WITH ALUM/POLY FOIL SHIELD AND DRAIN WIRE, (1) UNSHIELDED TWISTED PAIR, 28AWG, (2) CONDUCTORS, 22AWG, OVERALL ALUMINUM/MYLAR AND BRAIDED SHIELD, JACKET: PVC, BLUE (PANTONE 300C) (NOM DIA. .244" [6.2])

PART NUMBER	LENGTH METERS [FEET]
U3A00073-2M	2.0 [6.56]
U3A00073-3M	3.0 [9.84]

NOTES:

1. CABLE ASSEMBLY SHALL BE TESTED FOR CONTINUITY.
2. CABLE ASSEMBLY SHALL HAVE 360° SHIELD TERMINATION.
3. CABLE ASSEMBLY MUST MEET USB 3.0 REQUIREMENTS.
4. CABLE ASSEMBLY SHALL BE INDIVIDUALLY PACKAGED IN ACCORDANCE WITH L-COM SPECIFICATION PS-0031.

REGULATORY COMPLIANCE:
CE2011/65/EU(RoHS DIRECTIVE)

UNLESS OTHERWISE SPECIFIED, DIMENSIONS ARE IN INCHES [mm] OVERALL CABLE LENGTH TOLERANCE: ≤12 [305] = +1 [25] / -0 >12 [305] ≤60 [1524] = +2 [51] / -0 >60 [1524] ≤120 [3048] = +4 [102] / -0 >120 [3048] ≤300 [7620] = +6 [152] / -0 >300 [7620] = +5% / -0%	APPROVALS	DATE		50 HIGH STREET NORTH ANDOVER, MA 01845
	DRAWN BY S.LI	08/17/17		CATEGORY
ALL OTHER DIMENSIONAL TOLERANCES: .X = ± .2 [5.08] .XX = ± .02 [1.51] .XXX = ± .005 [1.13]	CHECKED BY B.ZHANG	08/17/17	PRODUCT DESCRIPTION	
PROJECTION	APPROVED BY S.PAN	08/17/17	CA, USB3.0 TYPE A/A W/FERRITE 26/22AWG	
	CONFIGURATION DETAILS OF UNDIMENSIONED FEATURES MAY VARY	COLOR VARIATIONS MAY OCCUR	SIZE A	FSCM NO. 43321
			DWG. NO. U3A00073	REV. A
			SCALE: NONE	CAD FILE: U3A00073.SLDDRW
				SHEET 1 OF 1