

HSB FUSE RATED 32V

RoHS

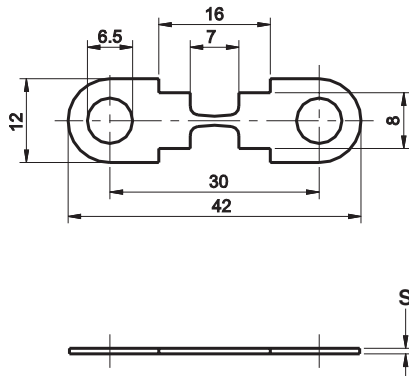


Description

Non-housed fuse strips for rated voltage up to 32 VDC. Current rating 30 A -175 A. Ring type lugs.

Dimensions

Dimensions in mm



FI = 1.00 (max. operating current: $1.0 \times I_{rat}$ at 23°C)

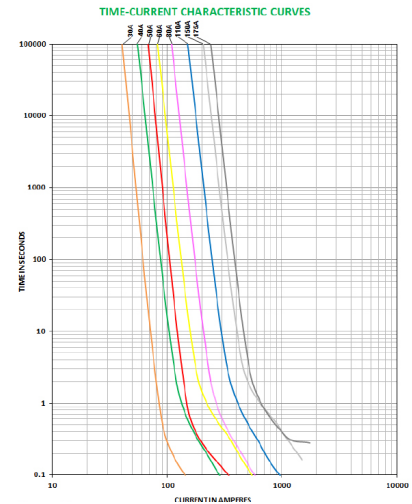
Specifications

Voltage Rating:	32 VDC
Interrupt Ratings:	1000A
Operating Temperature Range:	-40° to 125°C
Material:	Zinc-alloy
Connections:	Zinc-alloy
	2 x M6 bolts, distance 30 mm
Torque:	4 Nm +/- 1 Nm

Ordering Information

Part Number	Package Size
156.5677.xxx1	100
156.5677.xxx2	10000

Pre-Arcing Time-Limits



Time-Current Characteristics

% of Rating	Opening Time Min / Max (s)
100	∞ / -
125	360,000 s / -
300	0.100 s / 10 s
600	0.020 s / 1 s
1000	0.010 s / 0.300 s

Ratings

Part Number	Current Rating A	Typ. Voltage Drop mV	Cold Resistance mΩ	I ² t A ² s	Material Thickness "S" mm
156.5677.530_	30	44	1.33	3800	0.4
156.5677.540_	40	40	0.89	11200	0.4
156.5677.550_	50	44	0.72	21300	0.4
156.5677.560_	60	38	0.58	41400	0.4
156.5677.580_	80	40	0.43	44800	0.8
156.5677.611_	110	40	0.31	139000	0.8
156.5677.615_	150	52	0.23	465000	0.8
156.5677.617_	175	46	0.22	560000	0.8