



Tunnel terminal, 3p, 1 page, size 2

Part no. **NZM2-XKA**
 Catalog No. **271457**

Similar to illustration

Delivery program

| | | | |
|--|-------|-----------------|---|
| Standard/Approval | | | UL/CSA, IEC |
| Number of conductors | | | 3 pole |
| Accessories | | | Tunnel terminal |
| Rated current | I_n | A | Cu 300, Al 250 |
| For use with | | | NZM2, PN2, N(S)2 |
| Terminal capacities | | | |
| Type of conductor | | | |
| Cu/Al cable | | | Copper cable Al cable |
| Terminal capacities | | | |
| Stranded | | mm ² | 1 x 25 - 185 Up to 240 mm ² can be connected depending on the cable manufacturer. |
| AWG/kcmil | | mm ² | 1 x 6 - 350 |
| Notes | | | |
| Type contains parts for a terminal located at top or bottom for 3 or 4-pole circuit-breakers. | | | |
| A standard with control circuit terminal for 1 x 0.75 - 2.5 mm ² (18 - 14 AWG) or 2 x 0.75 - 1.5 mm ² (18 - 16 AWG) copper conductors. | | | |
| Fitted outside the switch housing | | | |
| Use with flexible and highly flexible conductors ferrules. Maximum specified cross-section can only be connected when stranded and without ferrules. | | | |
| Mounting of the cover NZM2(-4)-XKSA obligatory (supplied). | | | |

Design verification as per IEC/EN 61439

| | | | |
|--|--|--|--|
| IEC/EN 61439 design verification | | | |
| 10.2 Strength of materials and parts | | | |
| 10.2.2 Corrosion resistance | | | Meets the product standard's requirements. |
| 10.2.3.1 Verification of thermal stability of enclosures | | | Meets the product standard's requirements. |
| 10.2.3.2 Verification of resistance of insulating materials to normal heat | | | Meets the product standard's requirements. |
| 10.2.3.3 Verification of resistance of insulating materials to abnormal heat and fire due to internal electric effects | | | Meets the product standard's requirements. |
| 10.2.4 Resistance to ultra-violet (UV) radiation | | | Meets the product standard's requirements. |
| 10.2.5 Lifting | | | Does not apply, since the entire switchgear needs to be evaluated. |
| 10.2.6 Mechanical impact | | | Does not apply, since the entire switchgear needs to be evaluated. |
| 10.2.7 Inscriptions | | | Meets the product standard's requirements. |
| 10.3 Degree of protection of ASSEMBLIES | | | Does not apply, since the entire switchgear needs to be evaluated. |
| 10.4 Clearances and creepage distances | | | Meets the product standard's requirements. |
| 10.5 Protection against electric shock | | | Does not apply, since the entire switchgear needs to be evaluated. |
| 10.6 Incorporation of switching devices and components | | | Does not apply, since the entire switchgear needs to be evaluated. |
| 10.7 Internal electrical circuits and connections | | | Is the panel builder's responsibility. |
| 10.8 Connections for external conductors | | | Is the panel builder's responsibility. |
| 10.9 Insulation properties | | | |
| 10.9.2 Power-frequency electric strength | | | Is the panel builder's responsibility. |
| 10.9.3 Impulse withstand voltage | | | Is the panel builder's responsibility. |
| 10.9.4 Testing of enclosures made of insulating material | | | Is the panel builder's responsibility. |
| 10.10 Temperature rise | | | The panel builder is responsible for the temperature rise calculation. Eaton will provide heat dissipation data for the devices. |
| 10.11 Short-circuit rating | | | Is the panel builder's responsibility. The specifications for the switchgear must be observed. |

| | | |
|-------------------------------------|--|--|
| 10.12 Electromagnetic compatibility | | Is the panel builder's responsibility. The specifications for the switchgear must be observed. |
| 10.13 Mechanical function | | The device meets the requirements, provided the information in the instruction leaflet (IL) is observed. |

Technical data ETIM 7.0

Low-voltage industrial components (EG000017) / Wiring set for power circuit breaker (EC002050)

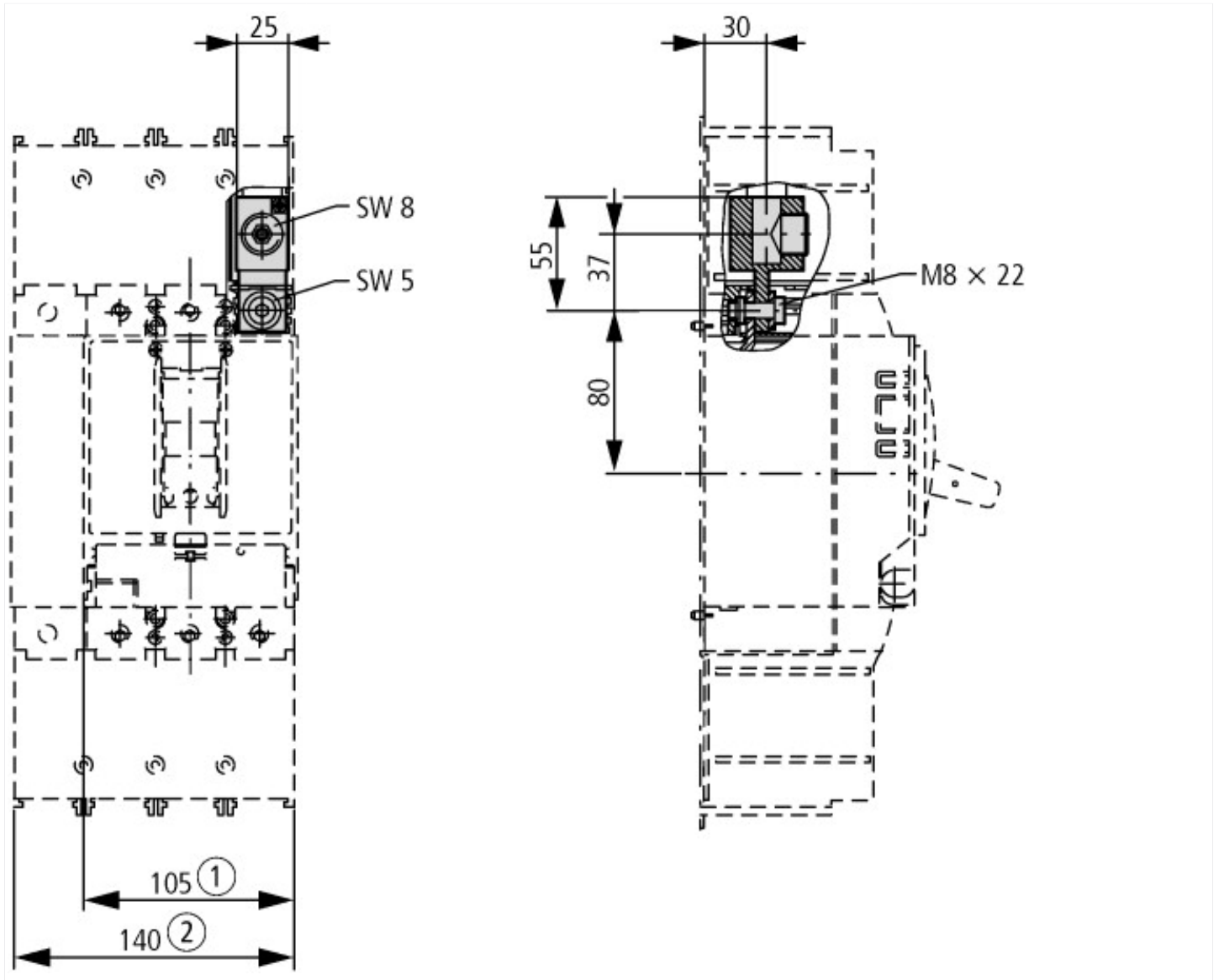
Electric engineering, automation, process control engineering / Low-voltage switch technology / Circuit breaker (LV < 1 kV) / Wiring set for circuit breaker (ecl@ss10.0.1-27-37-04-24 [ACN957011])

| | | |
|------------------------------|--|-------|
| Suitable for number of poles | | 3 |
| Model | | Other |

Approvals

| | | |
|-----------------------------|--|---|
| Product Standards | | UL489; CSA-C22.2 No. 5-09; IEC60947, CE marking |
| UL File No. | | E31593 |
| UL Category Control No. | | DIHS |
| CSA File No. | | 022086 |
| CSA Class No. | | 1432-01 |
| North America Certification | | UL listed, CSA certified |
| Suitable for | | Refer to main component information |

Dimensions



- ① 3 pole
- ② 4 pole

Additional product information (links)

IL01210007Z (AWA1230-2050) Tunnel terminal

IL01210007Z (AWA1230-2050) Tunnel terminal ftp://ftp.moeller.net/DOCUMENTATION/AWA_INSTRUCTIONS/IL01210007Z2017_01.pdf