



busbar system, accessory busbar center-to-center spacing 40, 60 mm mounting rail 35 mm plastic width: 90 mm for device adapter

Model	
product brand name	SENTRON
product designation	Support rails
design of the product	Accessories
design of support rail	Mounting rail 35 mm

Mechanical Design	
width	90 mm
busbar center-to-center spacing	60 mm
Net Weight	18 g

Approvals Certificates	
Environment	General Product Approval

[Environmental Confirmations](#)

[Environmental Confirmations](#)



[Confirmation](#)



General Product Approval	Test Certificates	other
--------------------------	-------------------	-------



[Miscellaneous](#)

[Confirmation](#)



[Miscellaneous](#)

Further information

Information on the packaging

<https://support.industry.siemens.com/cs/ww/en/view/109813875>

Information for data generation and storage

<https://support.industry.siemens.com/cs/ww/en/view/109995012>

Information- and Downloadcenter (Catalogs, Brochures,...)

<https://www.siemens.com/lowvoltage/catalogs>

Industry Mall (Online ordering system)

<https://mall.industry.siemens.com/mall/en/en/Catalog/product?mlfb=8US1998-7CA08>

Service&Support (Manuals, Certificates, Characteristics, FAQs,...)

<https://support.industry.siemens.com/cs/ww/en/ps/8US1998-7CA08>

Image database (product images, 2D dimension drawings, 3D models, device circuit diagrams, ...)

https://www.automation.siemens.com/bilddb/cax_en.aspx?mlfb=8US1998-7CA08

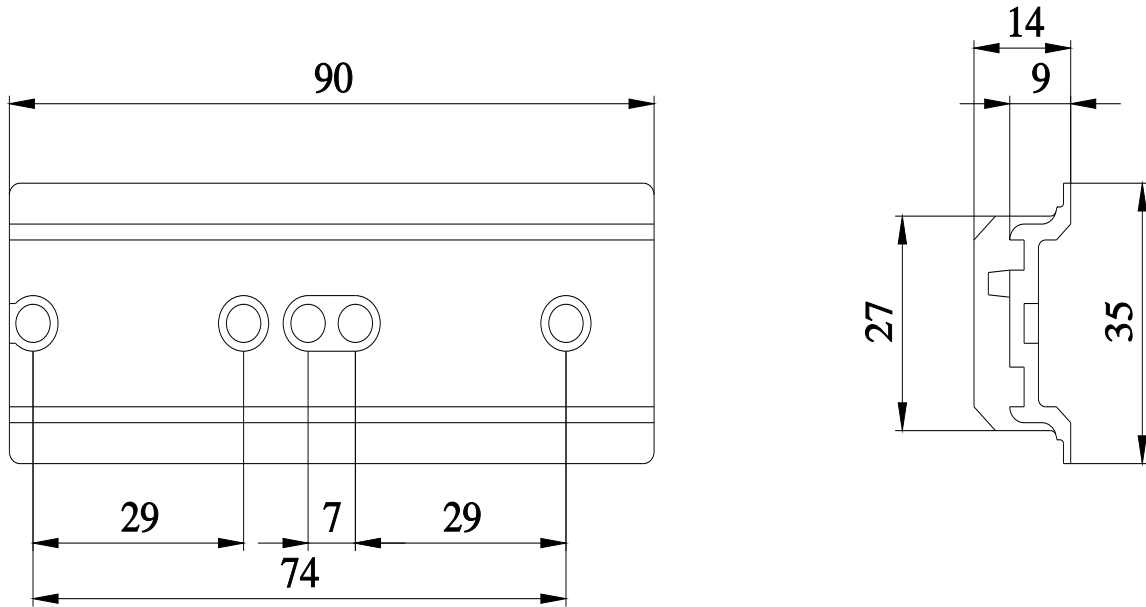
CAX-Online-Generator

<https://www.siemens.com/cax>

Tender specifications

<https://www.siemens.com/specifications>

Characteristic curves



last modified:

4/11/2025 

