



busbar system, accessory busbar center-to-center spacing 40, 60 mm connection terminal busbar thickness: 10 mm+TT profile for copper busbars and laminated copper strips on busbars 20x 5-30x 10 mm also for longitudinal connections

Model	
product brand name	SETRON
product designation	Connecting terminal
design of the product	Accessories
suitability for use	Copper rails, laminated copper bands and longitudinal connections

Connections	
type of connectable conductor cross-sections for copper conductor stranded	20 mm x 5 mm - 30 mm x 10 mm

Mechanical Design	
Net Weight	298 g

Approvals Certificates	
Environment	General Product Approval

[Environmental Conformations](#)

[Environmental Conformations](#)



[Confirmation](#)

General Product Approval	Test Certificates	other
--------------------------	-------------------	-------



[Miscellaneous](#)

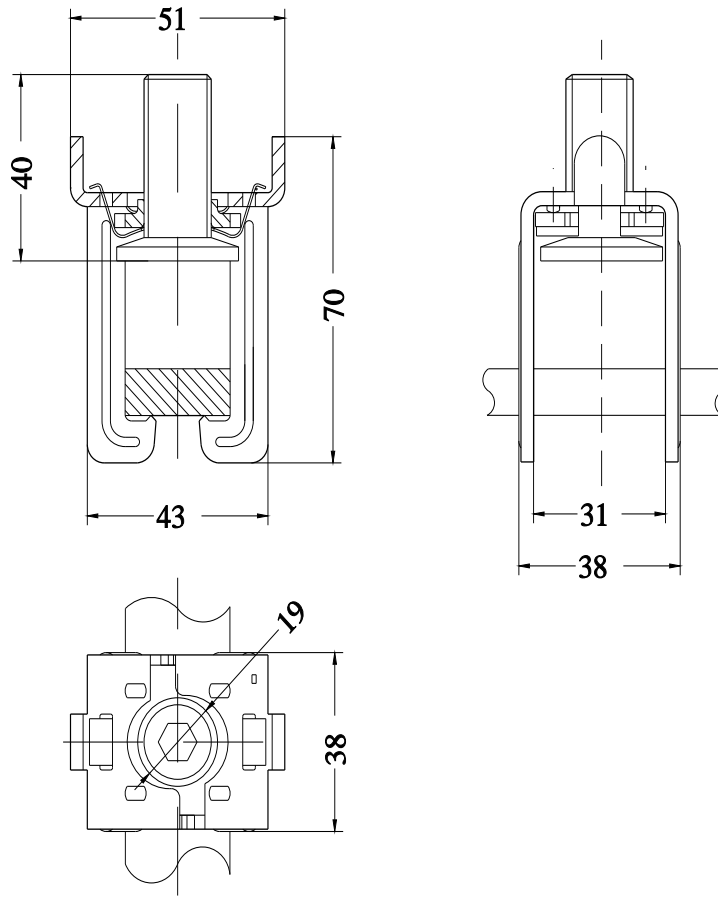
[Confirmation](#)



[Miscellaneous](#)

### Further information

- Information on the packaging <https://support.industry.siemens.com/cs/ww/en/view/109813875>
- Information for data generation and storage <https://support.industry.siemens.com/cs/ww/en/view/109995012>
- Information- and Downloadcenter (Catalogs, Brochures,...) <https://www.siemens.com/lowvoltage/catalogs>
- Industry Mall (Online ordering system) <https://mall.industry.siemens.com/mall/en/en/Catalog/product?mlfb=8US1941-2BB00>
- Service&Support (Manuals, Certificates, Characteristics, FAQs,...) <https://support.industry.siemens.com/cs/ww/en/ps/8US1941-2BB00>
- Image database (product images, 2D dimension drawings, 3D models, device circuit diagrams, ...) [https://www.automation.siemens.com/bilddb/cax\\_en.aspx?mlfb=8US1941-2BB00](https://www.automation.siemens.com/bilddb/cax_en.aspx?mlfb=8US1941-2BB00)
- CAx-Online-Generator <https://www.siemens.com/cax>
- Tender specifications <https://www.siemens.com/specifications>
- Characteristic curves



last modified:

4/11/2025 

