

busbar system, accessory busbar center-to-center spacing 40, 60 mm connection terminal busbar thickness: 10 mm+TT profile for copper busbars and laminated copper strips on busbars 2x40x 10 mm also for longitudinal connections

Model	
product brand name	SENTRON
product designation	Connecting terminal
design of the product	Accessories
suitability for use	Copper rails, laminated copper bands and longitudinal connections

Connections	
type of connectable conductor cross-sections for copper conductor stranded	2 x 40 mm x 10 mm

Mechanical Design	
Net Weight	815.5 g

Approvals Certificates	
Environment	General Product Approval

[Environmental Conformations](#)

[Environmental Conformations](#)



[Confirmation](#)



Test Certificates	
other	

[Miscellaneous](#)

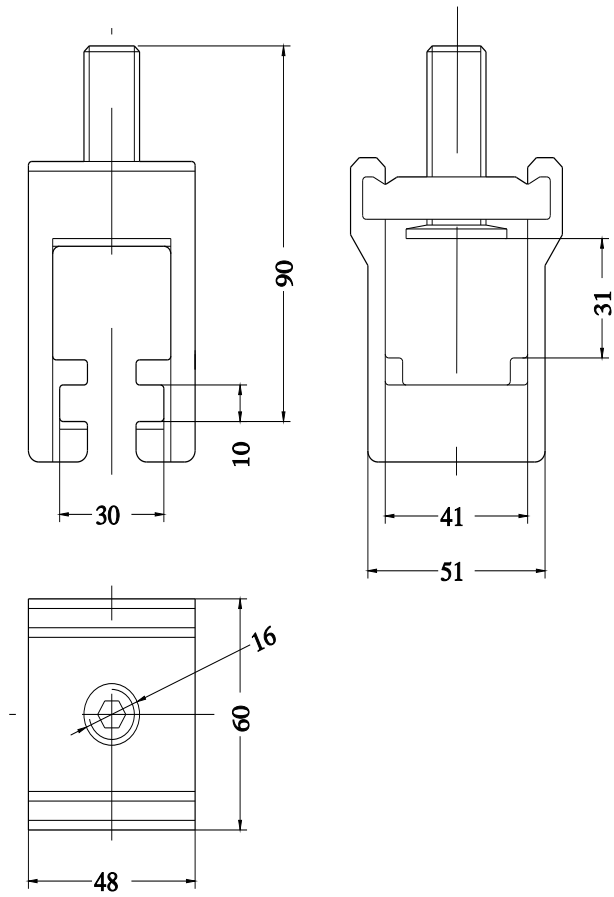
[Confirmation](#)

[Miscellaneous](#)



Further information

- Information on the packaging <https://support.industry.siemens.com/cs/ww/en/view/109813875>
- Information for data generation and storage <https://support.industry.siemens.com/cs/ww/en/view/109995012>
- Information- and Downloadcenter (Catalogs, Brochures,...) <https://www.siemens.com/lowvoltage/catalogs>
- Industry Mall (Online ordering system) <https://mall.industry.siemens.com/mall/en/en/Catalog/product?mlfb=8US1941-2BA00>
- Service&Support (Manuals, Certificates, Characteristics, FAQs,...) <https://support.industry.siemens.com/cs/ww/en/ps/8US1941-2BA00>
- Image database (product images, 2D dimension drawings, 3D models, device circuit diagrams, ...) https://www.automation.siemens.com/bilddb/cax_en.aspx?mlfb=8US1941-2BA00
- CAX-Online-Generator <https://www.siemens.com/cax>
- Tender specifications <https://www.siemens.com/specifications>
- Characteristic curves



last modified:

4/11/2025 

