



busbar system, accessory busbar center-to-center spacing 40, 60 mm connecting terminals with thread for cable lugs up to 240 mm² thickness of the busbars: 10 mm and TT profile

Model	
product brand name	SETRON
product designation	Connecting terminal
design of the product	Accessories
suitability for use	Cable lugs and flat rails

Connections	
type of connectable conductor cross-sections for copper conductor stranded	240 mm ²

Mechanical Design	
Net Weight	360 g

Approvals Certificates	
Environment	General Product Approval

[Environmental Conformations](#)

[Environmental Conformations](#)



[Confirmation](#)



Test Certificates	
other	

[Miscellaneous](#)

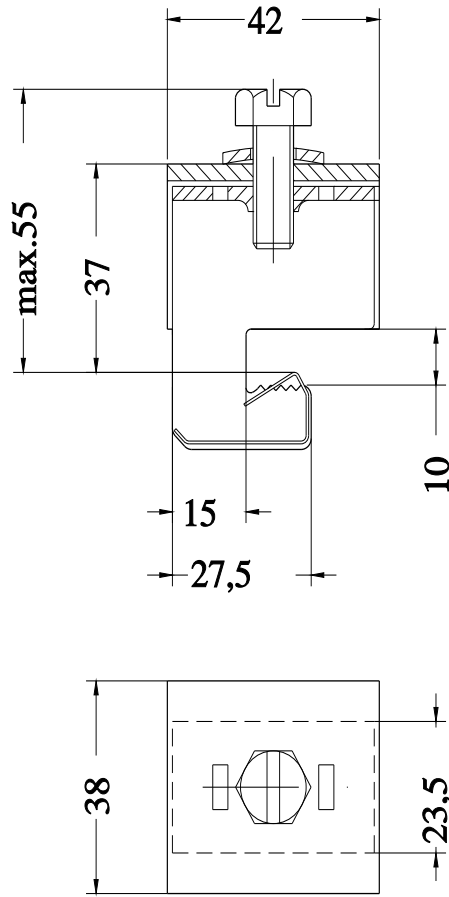
[Miscellaneous](#)

[Confirmation](#)



Further information

- Information on the packaging <https://support.industry.siemens.com/cs/ww/en/view/109813875>
- Information for data generation and storage <https://support.industry.siemens.com/cs/ww/en/view/109995012>
- Information- and Downloadcenter (Catalogs, Brochures,...) <https://www.siemens.com/lowvoltage/catalogs>
- Industry Mall (Online ordering system) <https://mall.industry.siemens.com/mall/en/en/Catalog/product?mlfb=8US1941-2AC00>
- Service&Support (Manuals, Certificates, Characteristics, FAQs,...) <https://support.industry.siemens.com/cs/ww/en/ps/8US1941-2AC00>
- Image database (product images, 2D dimension drawings, 3D models, device circuit diagrams, ...) https://www.automation.siemens.com/bilddb/cax_en.aspx?mlfb=8US1941-2AC00
- CAX-Online-Generator <https://www.siemens.com/cax>
- Tender specifications <https://www.siemens.com/specifications>
- Characteristic curves



last modified:

4/11/2025 

