






Busbar system, accessories Connecting terminal CU/Al 95...300 mm<sup>2</sup> Rail section 20, 25, 30 x 5, 10 mm and for TT-profile

Model	
product brand name	SETRON
product designation	Connecting terminal
design of the product	Accessories
Supply voltage	
operating voltage at AC rated value	690 V
suitability for use	for busbars 20, 25, 30 x 5, 10 mm and mounting rails
according UL	
operational current according to UL 508 rated value	420 A
Connections	
installation or assembly note	Suitable for aluminum conductors. For use of aluminum conductors, follow the maintenance instructions.
type of connectable conductor cross-sections for AWG cables	AWG 3/0 - MCM 600
type of connectable conductor cross-sections for aluminum conductor	Al 120 - 240 mm <sup>2</sup> sector-shaped conductor, solid Al 120 - 300 mm <sup>2</sup> circular conductor, stranded and sector-shaped conductor, stranded
<ul style="list-style-type: none"> <li>• solid</li> <li>• stranded</li> </ul>	
type of connectable conductor cross-sections for copper conductor stranded	95 to 300 mm <sup>2</sup> circular conductor, sector-shaped conductor, stranded
type of connectable conductor cross-sections of the laminated conductor rails	circular conductor, sector-shaped conductor, stranded
Mechanical Design	
height	51 mm
width	41 mm
depth	86 mm
Net Weight	406 g
Approvals Certificates	
Environment	General Product Approval
<a href="#">Environmental Confirmations</a>	<a href="#">Environmental Confirmations</a>
	
	<a href="#">Confirmation</a>
General Product Approval	Test Certificates
	other

Further information

Information on the packaging

<https://support.industry.siemens.com/cs/ww/en/view/109813875>

Information for data generation and storage

<https://support.industry.siemens.com/cs/ww/en/view/109995012>

Information- and Downloadcenter (Catalogs, Brochures,...)

<https://www.siemens.com/lowvoltage/catalogs>

Industry Mall (Online ordering system)

<https://mall.industry.siemens.com/mall/en/en/Catalog/product?mlfb=8US1941-2AA02>

Service&Support (Manuals, Certificates, Characteristics, FAQs,...)

<https://support.industry.siemens.com/cs/ww/en/ps/8US1941-2AA02>

Image database (product images, 2D dimension drawings, 3D models, device circuit diagrams, ...)

[https://www.automation.siemens.com/bilddb/cax\\_en.aspx?mlfb=8US1941-2AA02](https://www.automation.siemens.com/bilddb/cax_en.aspx?mlfb=8US1941-2AA02)

CAX-Online-Generator

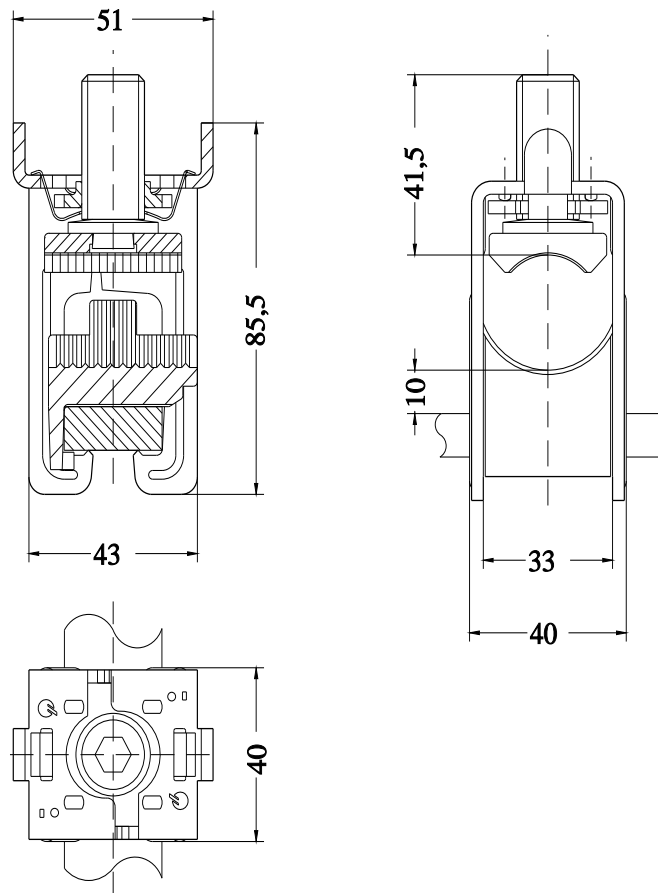
<https://www.siemens.com/cax>

Tender specifications

<https://www.siemens.com/specifications>

Characteristic curves

[https://curves.simaris.siemens.com/curves/<mmp\\_prod\\_noCOMP="HAUPT"></mmp\\_prod\\_no>](https://curves.simaris.siemens.com/curves/<mmp_prod_noCOMP=)



last modified:

4/11/2025

