






Busbar system, accessories Connecting terminal 95...185mm² Rail section 20, 25, 30 x 5, 10mm and for TT-profile

Model		
product brand name	SENTRON	
product designation	Connecting terminal	
design of the product	Accessories	
Supply voltage		
operating voltage at AC rated value	690 V	
suitability for use	for busbars 20, 25, 30 x 5, 10 mm and mounting rails	
according UL		
operational current according to UL 508 rated value	310 A	
Connections		
installation or assembly note	Suitable for aluminum conductors. For use of aluminum conductors, follow the maintenance instructions.	
type of connectable conductor cross-sections for AWG cables	AWG 3/0 - MCM 350	
type of connectable conductor cross-sections for aluminum conductor	Al 95 - 185 mm ² circular conductor, stranded and sector-shaped conductor, stranded	
<ul style="list-style-type: none"> • solid • stranded 		
type of connectable conductor cross-sections for copper conductor stranded	95 to 185 mm ² circular conductor, sector-shaped conductor, stranded	
type of connectable conductor cross-sections of the laminated conductor rails	circular conductor, sector-shaped conductor, stranded	
Mechanical Design		
height	51 mm	
width	38 mm	
depth	70 mm	
Net Weight	297 g	
Approvals Certificates		
Environment	General Product Approval	
Environmental Conformations	Environmental Conformations	
		
		
	Confirmation	
General Product Approval	Test Certificates	other

Further information

Information on the packaging

<https://support.industry.siemens.com/cs/ww/en/view/109813875>

Information for data generation and storage

<https://support.industry.siemens.com/cs/ww/en/view/109995012>

Information- and Downloadcenter (Catalogs, Brochures,...)

<https://www.siemens.com/lowvoltage/catalogs>

Industry Mall (Online ordering system)

<https://mall.industry.siemens.com/mall/en/en/Catalog/product?mlfb=8US1941-2AA01>

Service&Support (Manuals, Certificates, Characteristics, FAQs,...)

<https://support.industry.siemens.com/cs/ww/en/ps/8US1941-2AA01>

Image database (product images, 2D dimension drawings, 3D models, device circuit diagrams, ...)

https://www.automation.siemens.com/bilddb/cax_en.aspx?mlfb=8US1941-2AA01

CAx-Online-Generator

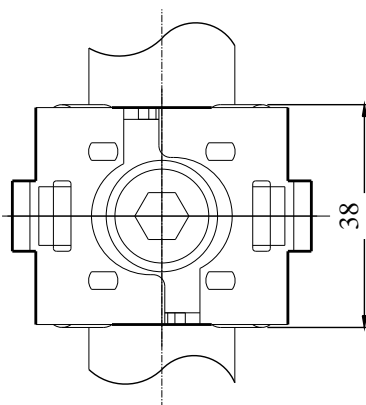
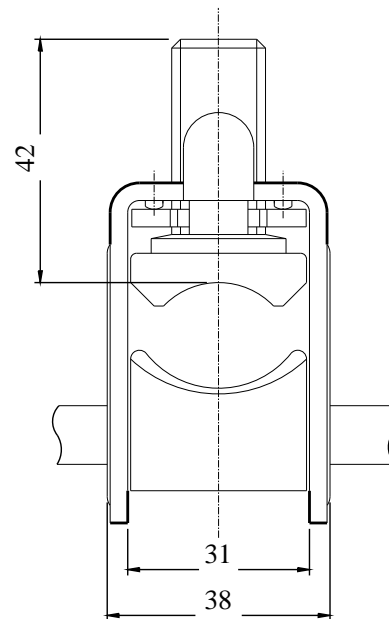
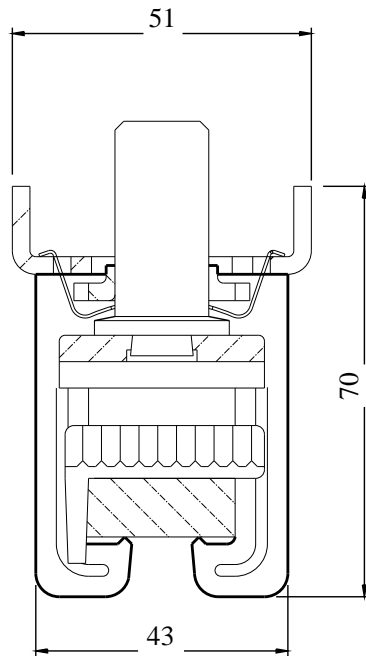
<https://www.siemens.com/cax>

Tender specifications

<https://www.siemens.com/specifications>

Characteristic curves

[https://curves.simaris.siemens.com/curves/<mmp_prod_noCOMP="HAUPT"></mmp_prod_no>](https://curves.simaris.siemens.com/curves/<mmp_prod_noCOMP=)



01 318

