



busbar system, accessory busbar center-to-center spacing 60 mm busbar support 2-pole for busbars 12x 5 (10)-30x 5 -10 external fixing width: 20 mm

Model	
product brand name	SENTRON
product designation	Busbar support
operating voltage at AC rated value	690 V
suitability for use	Flat bars
type of connectable conductor cross-sections for copper conductor stranded	12 mm x 5 mm - 30 mm x 10 mm
Mechanical Design	
width	20 mm
busbar center-to-center spacing	60 mm
Net Weight	110 g

Approvals Certificates	
Environment	General Product Approval

[Environmental Confirmations](#)

[Environmental Confirmations](#)



[Confirmation](#)



Test Certificates	other
-------------------	-------

[Miscellaneous](#)

[Confirmation](#)



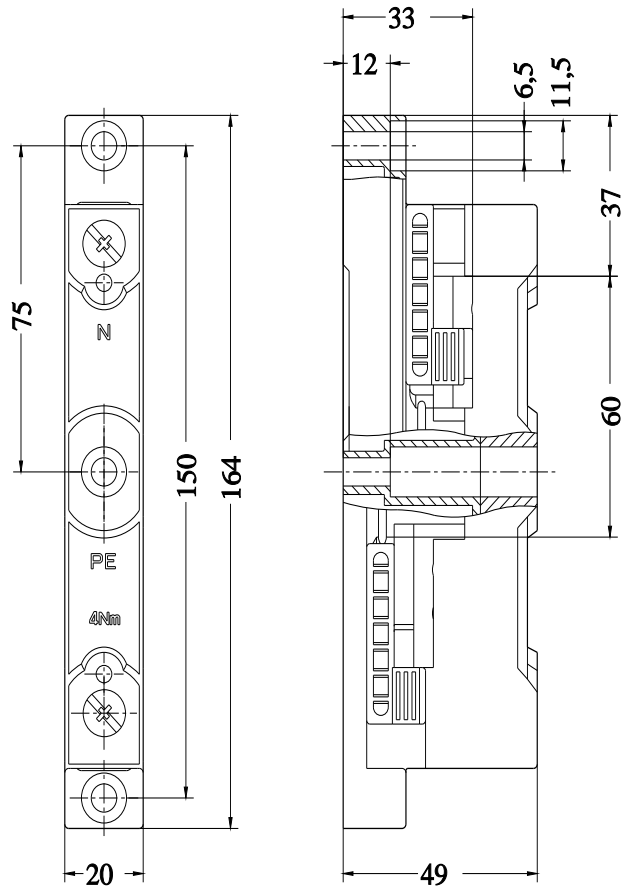
[Miscellaneous](#)

Further information

- Information on the packaging <https://support.industry.siemens.com/cs/ww/en/view/109813875>
- Information for data generation and storage <https://support.industry.siemens.com/cs/ww/en/view/109995012>
- Information- and Downloadcenter (Catalogs, Brochures,...) <https://www.siemens.com/lowvoltage/catalogs>
- Industry Mall (Online ordering system) <https://mall.industry.siemens.com/mall/en/en/Catalog/product?mlfb=8US1923-5AA00>
- Service&Support (Manuals, Certificates, Characteristics, FAQs,...) <https://support.industry.siemens.com/cs/ww/en/ps/8US1923-5AA00>
- Image database (product images, 2D dimension drawings, 3D models, device circuit diagrams, ...) https://www.automation.siemens.com/bilddb/cax_en.aspx?mlfb=8US1923-5AA00
- CAx-Online-Generator <https://www.siemens.com/cax>
- Tender specifications <https://www.siemens.com/specifications>

Characteristic curves

https://curves.simaris.siemens.com/curves/<mmp_prod_noCOMP='HAUPT'></mmp_prod_no>



last modified:

6/1/2026

