



busbar system, accessory busbar center-to-center spacing 40, 60 mm connection terminal busbar thickness: 10 mm+TT profile 4-35 mm²

Model	
product brand name	SENTRON
product designation	Connecting terminal
design of the product	Accessories
Supply voltage	
operating voltage at AC rated value	690 V
Dissipation	
power loss [W]	0 W
suitability for use	for busbars 12, 15, 20, 25, 30 x 10 mm and mounting rails
according UL	
operational current according to UL 508 rated value	115 A
Connections	
type of connectable conductor cross-sections for AWG cables	AWG 102
type of connectable conductor cross-sections for copper conductor stranded	4-35 mm ²
type of connectable conductor cross-sections of the laminated conductor rails	Cu lam. 3x9x0.8 mm or 6x9x0.8 mm
Mechanical Design	
Net Weight	0.048 kg
Approvals Certificates	
Environment	General Product Approval

[Environmental Confirmations](#)

[Environmental Confirmations](#)



[Confirmation](#)

General Product Approval

Test Certificates

other



[Miscellaneous](#)

[Miscellaneous](#)

[Confirmation](#)



Further information

Information on the packaging
<https://support.industry.siemens.com/cs/ww/en/view/109813875>
 Information for data generation and storage
<https://support.industry.siemens.com/cs/ww/en/view/109995012>
 Information- and Downloadcenter (Catalogs, Brochures,...)

<https://www.siemens.com/lowvoltage/catalogs>

Industry Mall (Online ordering system)

<https://mall.industry.siemens.com/mall/en/en/Catalog/product?mlfb=8US1921-2BB01>

Service&Support (Manuals, Certificates, Characteristics, FAQs,...)

<https://support.industry.siemens.com/cs/ww/en/ps/8US1921-2BB01>

Image database (product images, 2D dimension drawings, 3D models, device circuit diagrams, ...)

https://www.automation.siemens.com/bilddb/cax_en.aspx?mlfb=8US1921-2BB01

CAX-Online-Generator

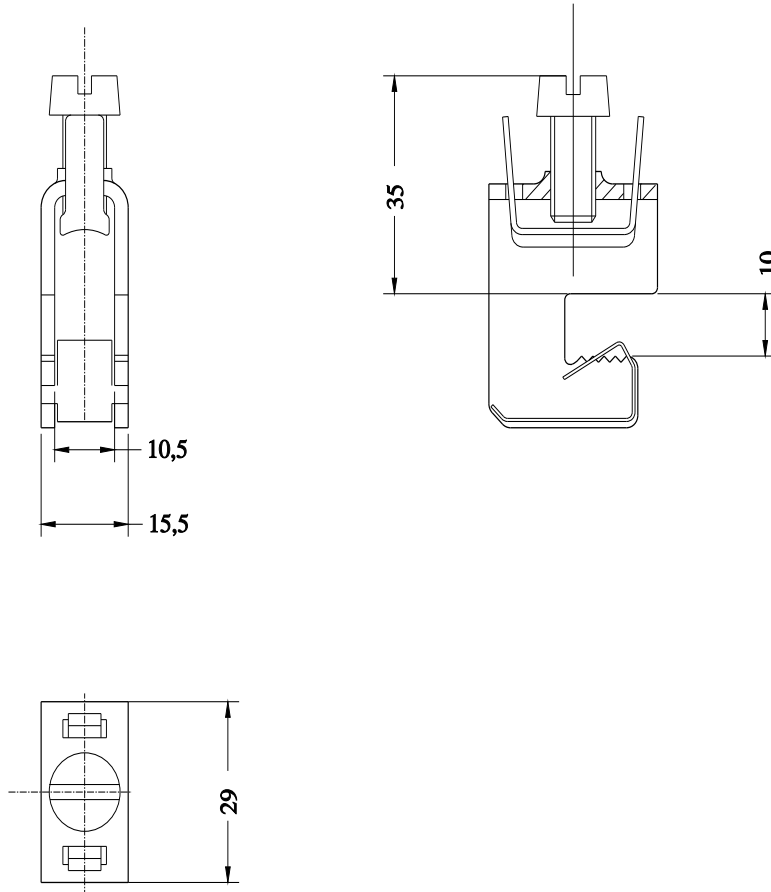
<https://www.siemens.com/cax>

Tender specifications

<https://www.siemens.com/specifications>

Characteristic curves

https://curves.simaris.siemens.com/curves/<mmp_prod_noCOMP='HAUPT'></mmp_prod_no>



last modified:

4/11/2025 

