



busbar system, accessory busbar center-to-center spacing 40, 60 mm connection terminal busbar thickness: 5 mm 16-70 mm²

| Model | |
|---|--|
| product brand name | SENTRON |
| product designation | Connecting terminal |
| design of the product | Accessories |
| Supply voltage | |
| operating voltage at AC rated value | 690 V |
| Dissipation | |
| power loss [W] | 0 W |
| suitability for use | for busbars 12, 15, 20, 25, 30 x 5 mm and mounting rails |
| according UL | |
| operational current according to UL 508 rated value | 175 A |
| Connections | |
| type of connectable conductor cross-sections for AWG cables | AWG 42/0 |
| type of connectable conductor cross-sections for copper conductor stranded | 16-70 mm ² |
| type of connectable conductor cross-sections of the laminated conductor rails | Cu lam. 2x9x0.8 mm or 6x9x0.8 mm or 6x13x0.5 mm |
| Mechanical Design | |
| Net Weight | 72 g |
| Approvals Certificates | |
| Environment | General Product Approval |

[Environmental Confirmations](#)

[Environmental Confirmations](#)



[Confirmation](#)

General Product Approval

Test Certificates

other



[Miscellaneous](#)

[Confirmation](#)



[Miscellaneous](#)

Further information

Information on the packaging

<https://support.industry.siemens.com/cs/ww/en/view/109813875>

Information for data generation and storage

<https://support.industry.siemens.com/cs/ww/en/view/109995012>

Information- and Downloadcenter (Catalogs, Brochures,...)

<https://www.siemens.com/lowvoltage/catalogs>

Industry Mall (Online ordering system)

<https://mall.industry.siemens.com/mall/en/en/Catalog/product?mlfb=8US1921-2AD00>

Service&Support (Manuals, Certificates, Characteristics, FAQs,...)

<https://support.industry.siemens.com/cs/ww/en/ps/8US1921-2AD00>

Image database (product images, 2D dimension drawings, 3D models, device circuit diagrams, ...)

https://www.automation.siemens.com/bilddb/cax_en.aspx?mlfb=8US1921-2AD00

CAX-Online-Generator

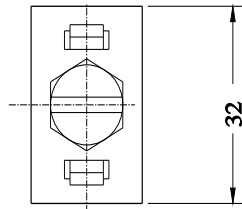
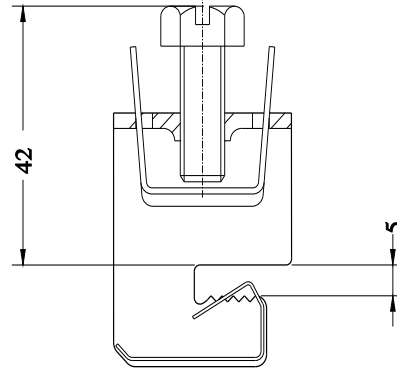
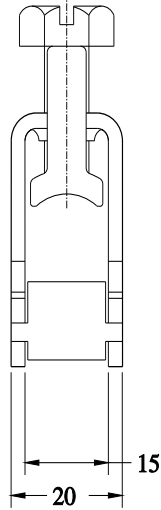
<https://www.siemens.com/cax>

Tender specifications

<https://www.siemens.com/specifications>

Characteristic curves

https://curves.simaris.siemens.com/curves/<mmp_prod_noCOMP='HAUPT'></mmp_prod_no>



last modified:

4/11/2025 

