







busbar system busbar center-to-center spacing 60 mm device holder, width: 55 mm busbar thickness: 5.10 mm+TT profile size S2 spacer and tapping screw enclosed with product for lateral mounting on adapter 8US12 length 242 mm

Model	
product brand name	SENTRON
product designation	device holder
design of the product	Accessories
number of mounting rails	0
Mechanical Design	
height	242 mm
width of the adapter	45 mm
depth	60 mm
thickness of the busbar	
• minimum	5 mm
busbar center-to-center spacing	60 mm
Net Weight	215 g

Approvals Certificates

Environment	General Product Approval				
Environmental Confirmations	Environmental Confirmations				Confirmation

General Product Approval	Test Certificates	Maritime application	other
			
	Miscellaneous		Confirmation

other

[Miscellaneous](#)

Further information

Information on the packaging
<https://support.industry.siemens.com/cs/ww/en/view/109813875>
 Information for data generation and storage
<https://support.industry.siemens.com/cs/ww/en/view/109995012>

Information- and Downloadcenter (Catalogs, Brochures,...)

<https://www.siemens.com/lowvoltage/catalogs>

Industry Mall (Online ordering system)

<https://mall.industry.siemens.com/mall/en/en/Catalog/product?mlfb=8US1260-5AP00>

Service&Support (Manuals, Certificates, Characteristics, FAQs,...)

<https://support.industry.siemens.com/cs/ww/en/ps/8US1260-5AP00>

Image database (product images, 2D dimension drawings, 3D models, device circuit diagrams, ...)

https://www.automation.siemens.com/bilddb/cax_en.aspx?mlfb=8US1260-5AP00

CAX-Online-Generator

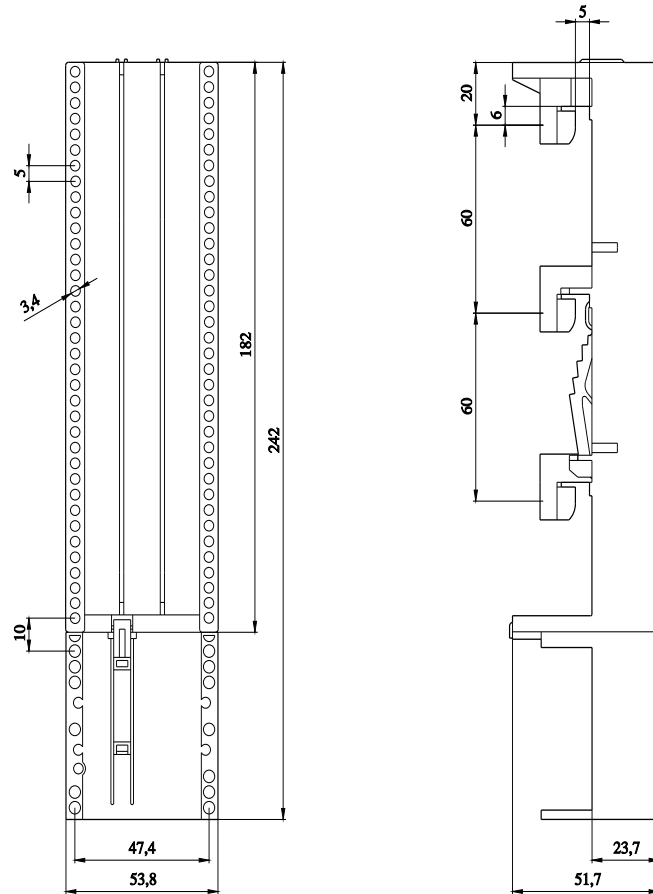
<https://www.siemens.com/cax>

Tender specifications

<https://www.siemens.com/specifications>

Characteristic curves

https://curves.simaris.siemens.com/curves/<mmp_prod_noCOMP='HAUPT'></mmp_prod_no>



last modified:

4/11/2025 

