



busbar system busbar center-to-center spacing 60 mm device holder, width: 55 mm busbar thickness: 5.10 mm+TT profile size S00, S0 for lateral mounting on adapter 8US12 length 182 mm

Model	
product brand name	SENTRON
product designation	device holder
design of the product	Accessories
number of mounting rails	1

Mechanical Design	
height	182 mm
width of the adapter	55 mm
depth	60 mm
thickness of the busbar	
• minimum	5 mm
busbar center-to-center spacing	60 mm
Net Weight	181 g

Approvals Certificates	
Environment	General Product Approval

[Environmental Con-
firmations](#)

[Environmental Con-
firmations](#)



[Confirmation](#)

General Product Approval	Test Certificates	Maritime application	other
--------------------------	-------------------	----------------------	-------



[Miscellaneous](#)



[Confirmation](#)



other

[Miscellaneous](#)

Further information

Information on the packaging

<https://support.industry.siemens.com/cs/ww/en/view/109813875>

Information for data generation and storage

<https://support.industry.siemens.com/cs/ww/en/view/109995012>

Information- and Downloadcenter (Catalogs, Brochures,...)

<https://www.siemens.com/lowvoltage/catalogs>

Industry Mall (Online ordering system)

<https://mall.industry.siemens.com/mall/en/en/Catalog/product?mlfb=8US1260-5AM00>

Service&Support (Manuals, Certificates, Characteristics, FAQs,...)

<https://support.industry.siemens.com/cs/ww/en/ps/8US1260-5AM00>

Image database (product images, 2D dimension drawings, 3D models, device circuit diagrams, ...)

https://www.automation.siemens.com/bilddb/cax_en.aspx?mlfb=8US1260-5AM00

CAX-Online-Generator

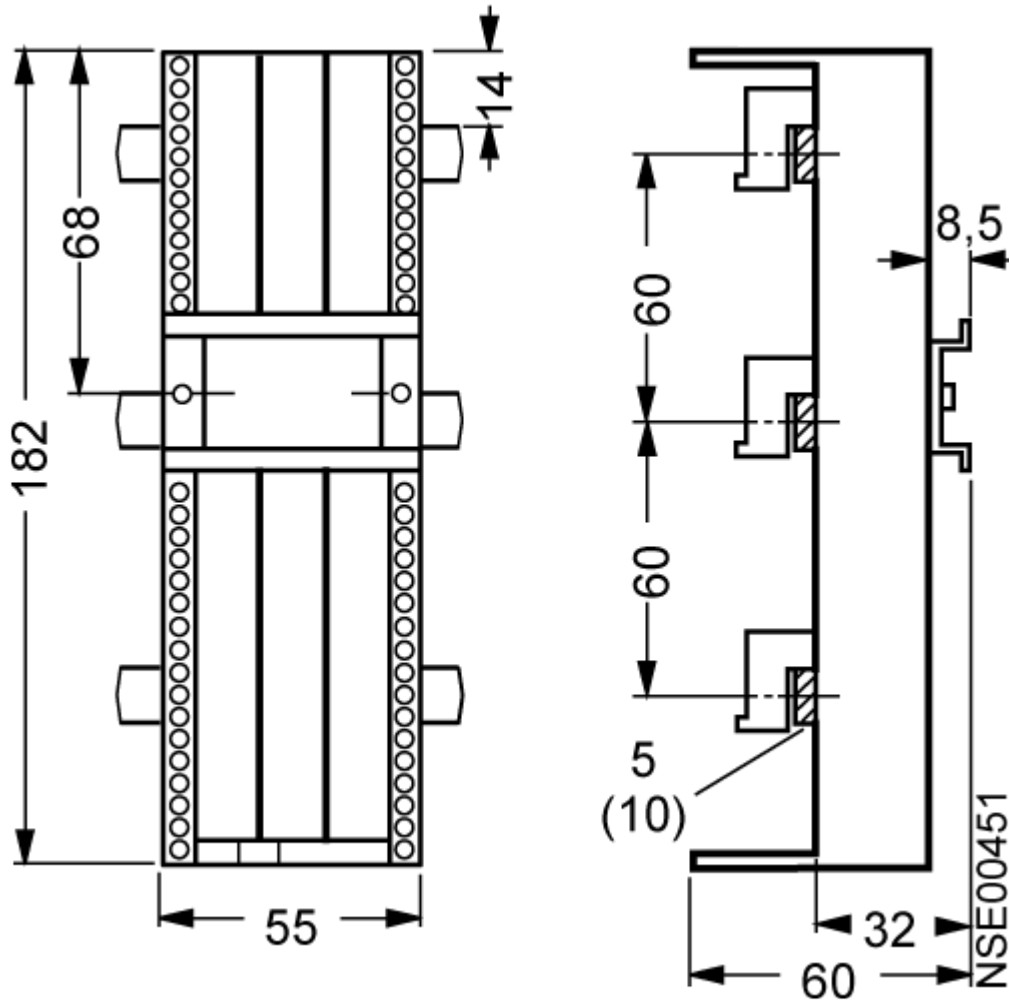
<https://www.siemens.com/cax>

Tender specifications

<https://www.siemens.com/specifications>

Characteristic curves

https://curves.simaris.siemens.com/curves/<mmp_prod_noCOMP='HAUPT'></mmp_prod_no>



last modified:

4/4/2025

