

busbar system busbar center-to-center spacing 60 mm device adapter, width: 72 mm busbar thickness: 5.10 mm+TT profile for equipment with circuit breaker SIRIUS size S3 (100 A) length 182 mm operating range 480-690 V

Model	
product brand name	SENTRON
product designation	Device adapter
design of the product	Accessories
Connections	
type of electrical connection	AWG 4
Mechanical Design	
height	182 mm
width of the adapter	54 mm
depth	60 mm
thickness of the busbar	
• minimum	5 mm
busbar center-to-center spacing	60 mm
Net Weight	476 g

Approvals Certificates	
Environment	General Product Approval

[Environmental Con-
firmations](#)

[Environmental Con-
firmations](#)



[Confirmation](#)

General Product Approval	Test Certificates	Maritime application	other
--------------------------	-------------------	----------------------	-------



[Miscellaneous](#)



[Miscellaneous](#)

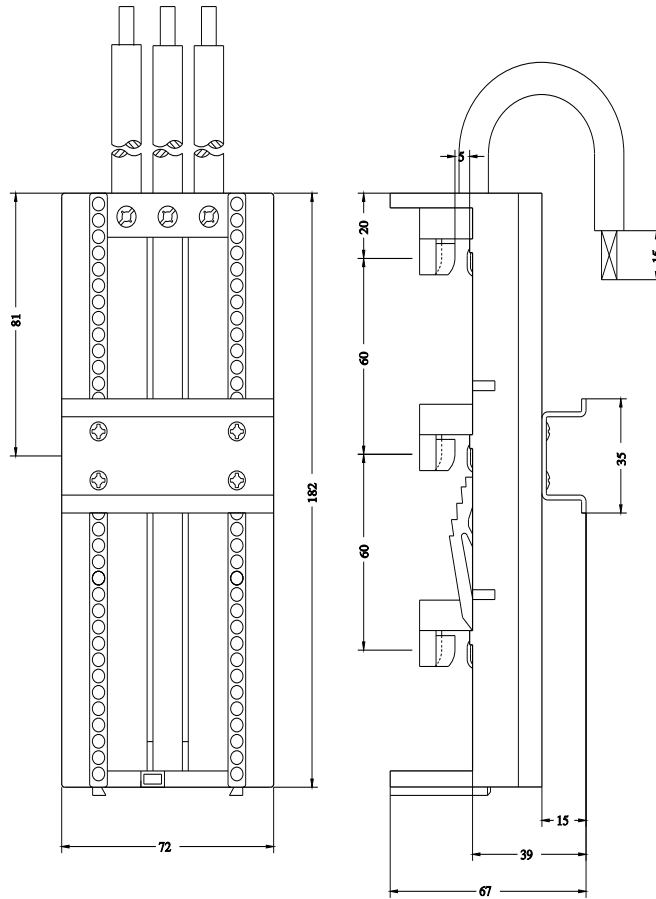
[Confirmation](#)

other



Further information

- Information on the packaging
<https://support.industry.siemens.com/cs/ww/en/view/109813875>
- Information for data generation and storage
<https://support.industry.siemens.com/cs/ww/en/view/109995012>
- Information- and Downloadcenter (Catalogs, Brochures,...)
<https://www.siemens.com/lowvoltage/catalogs>
- Industry Mall (Online ordering system)
<https://mall.industry.siemens.com/mall/en/en/Catalog/product?mlfb=8US1211-4TM00>
- Service&Support (Manuals, Certificates, Characteristics, FAQs,...)
<https://support.industry.siemens.com/cs/ww/en/ps/8US1211-4TM00>
- Image database (product images, 2D dimension drawings, 3D models, device circuit diagrams, ...)
https://www.automation.siemens.com/bilddb/cax_en.aspx?mlfb=8US1211-4TM00
- CAX-Online-Generator
<https://www.siemens.com/cax>
- Tender specifications



last modified:

4/11/2025 

