



Residual-current transformer for residual current monitoring Bushing opening 140 mm Residual current 30 mA...40 A

General technical data	
product brand name	SIRIUS
product designation	Residual-current transformers
product feature touch protection	Yes
type of electrical connection at output	screw-type terminals
operating voltage rated value maximum	690 V
continuous current per phase maximum	500 A
fault current at input rated value	40 A
surge voltage resistance rated value	6 kV
reference code according to IEC 81346-2	B
reference code according to DIN 40719 extended according to IEC 204-2 according to IEC 750	T
reference code according to EN 61346-2	B
Connections/ Terminals	
type of connectable conductor cross-sections	
<ul style="list-style-type: none"> • solid 	1x (0.5 ... 2.5 mm ²)
<ul style="list-style-type: none"> • finely stranded <ul style="list-style-type: none"> — with core end processing 	1x (0.5 ... 1.5 mm ²)
<ul style="list-style-type: none"> • for AWG cables <ul style="list-style-type: none"> — solid 	1x (20 ... 13)
Ambient conditions	
ambient temperature	
<ul style="list-style-type: none"> • during transport 	-25 ... +60 °C
<ul style="list-style-type: none"> • during operation 	-25 ... +60 °C
<ul style="list-style-type: none"> • during storage 	-40 ... +85 °C
relative humidity during operation	95 %
installation altitude at height above sea level	2 000 m
Installation/ mounting/ dimensions	
diameter of inlet opening	140 mm
width	201 mm
height	64 mm
depth	207.5 mm
mounting position	standing, on horizontal mounting surface
fastening method	screw fixing
tightening torque with screw-type terminals	0.5 ... 0.6 N·m
tightening torque [lbf·in] with screw-type terminals	4.4 ... 5.3 lbf·in
Certificates/ approvals	
General Product Approval	Test Certificates



[Type Test Certificates/Test Report](#)

other

Environment

[Confirmation](#)



[Confirmation](#)

[Environmental Confirmations](#)

Further information

Information on the packaging

<https://support.industry.siemens.com/cs/ww/en/view/109813875>

Information for data generation and storage

<https://support.industry.siemens.com/cs/ww/en/view/109995012>

Information- and Downloadcenter (Catalogs, Brochures,...)

<https://www.siemens.com/ic10>

Industry Mall (Online ordering system)

<https://mall.industry.siemens.com/mall/en/en/Catalog/product?mlfb=3UL2306-1A>

Cax online generator

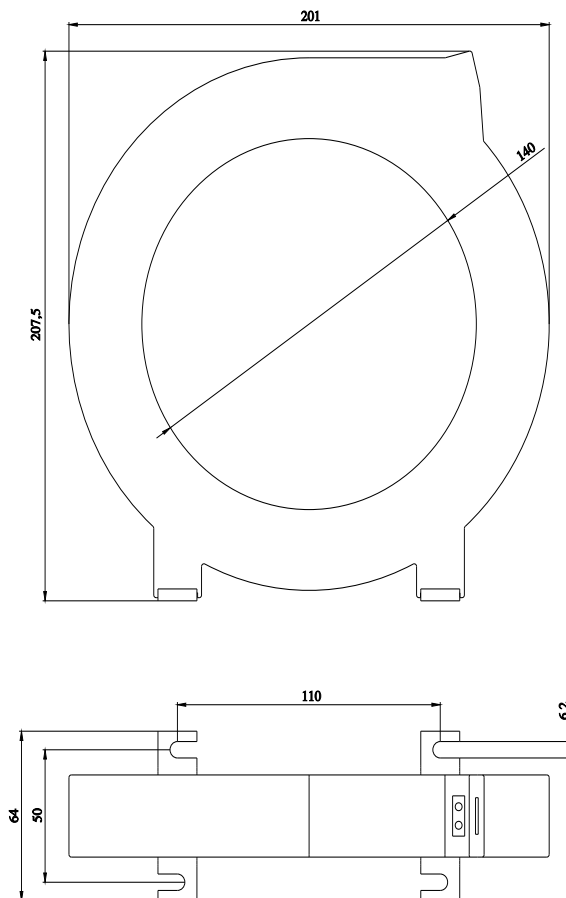
<https://support.automation.siemens.com/WW/CAXorder/default.aspx?lang=en&mlfb=3UL2306-1A>

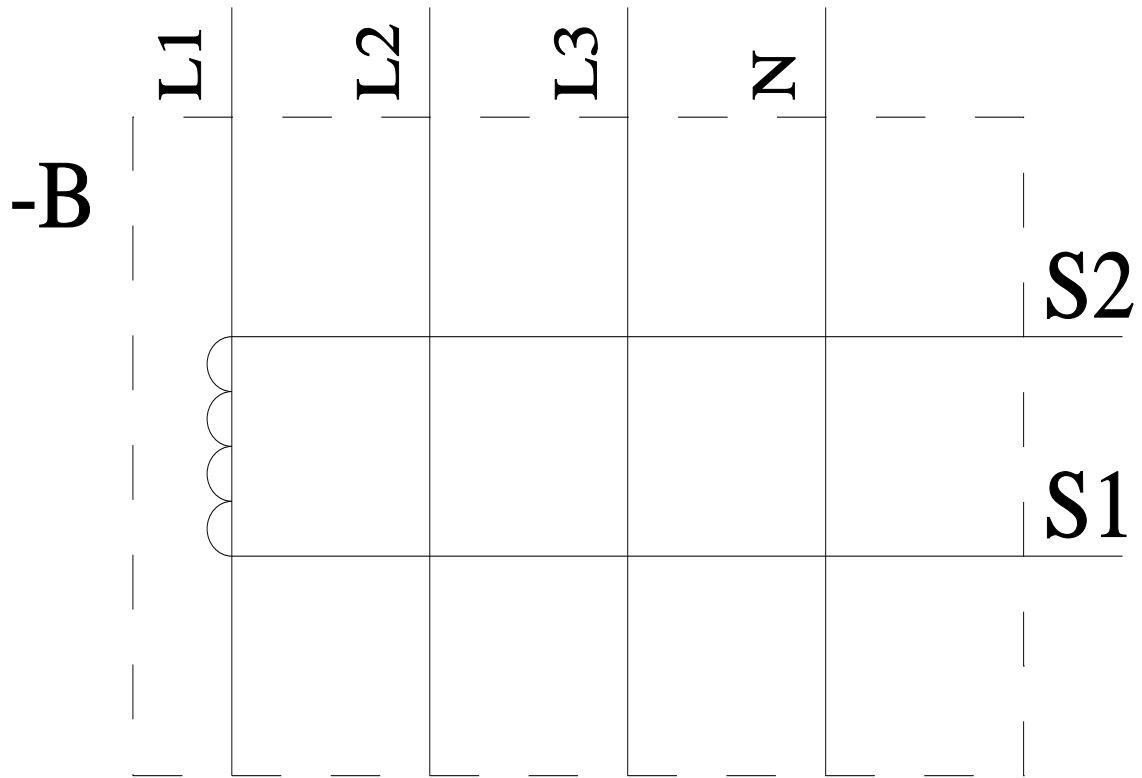
Service&Support (Manuals, Certificates, Characteristics, FAQs,...)

<https://support.industry.siemens.com/cs/ww/en/ps/3UL2306-1A>

Image database (product images, 2D dimension drawings, 3D models, device circuit diagrams, EPLAN macros, ...)

https://www.automation.siemens.com/bilddb/cax_de.aspx?mlfb=3UL2306-1A&lang=en





last modified:

10/22/2025 