



Residual-current transformer for residual current monitoring Bushing opening 80 mm Residual current 30 mA...40 A

General technical data	
product brand name	SIRIUS
product designation	Residual-current transformers
product feature touch protection	Yes
type of electrical connection at output	screw-type terminals
operating voltage rated value maximum	690 V
continuous current per phase maximum	225 A
fault current at input rated value	40 A
surge voltage resistance rated value	6 kV
reference code according to IEC 81346-2	B
reference code according to DIN 40719 extended according to IEC 204-2 according to IEC 750	T
reference code according to EN 61346-2	B
Connections/ Terminals	
type of connectable conductor cross-sections	
<ul style="list-style-type: none"> <li>• solid</li> </ul>	1x (0.5 ... 2.5 mm <sup>2</sup> )
<ul style="list-style-type: none"> <li>• finely stranded                             <ul style="list-style-type: none"> <li>— with core end processing</li> </ul> </li> </ul>	1x (0.5 ... 1.5 mm <sup>2</sup> )
<ul style="list-style-type: none"> <li>• for AWG cables                             <ul style="list-style-type: none"> <li>— solid</li> </ul> </li> </ul>	1x (20 ... 13)
Ambient conditions	
ambient temperature	
<ul style="list-style-type: none"> <li>• during transport</li> </ul>	-25 ... +60 °C
<ul style="list-style-type: none"> <li>• during operation</li> </ul>	-25 ... +60 °C
<ul style="list-style-type: none"> <li>• during storage</li> </ul>	-40 ... +85 °C
relative humidity during operation	95 %
installation altitude at height above sea level	2 000 m
Installation/ mounting/ dimensions	
diameter of inlet opening	80 mm
width	124.5 mm
height	64 mm
depth	130 mm
mounting position	standing, on horizontal mounting surface
fastening method	screw fixing
tightening torque with screw-type terminals	0.5 ... 0.6 N·m
tightening torque [lbf·in] with screw-type terminals	4.4 ... 5.3 lbf·in
Certificates/ approvals	
General Product Approval	Test Certificates



[Type Test Certificates/Test Report](#)

other

Environment



[Confirmation](#)

[Confirmation](#)

[Environmental Confirmations](#)

### Further information

Information on the packaging

<https://support.industry.siemens.com/cs/ww/en/view/109813875>

Information for data generation and storage

<https://support.industry.siemens.com/cs/ww/en/view/109995012>

Information- and Downloadcenter (Catalogs, Brochures,...)

<https://www.siemens.com/ic10>

Industry Mall (Online ordering system)

<https://mall.industry.siemens.com/mall/en/en/Catalog/product?mlfb=3UL2304-1A>

Cax online generator

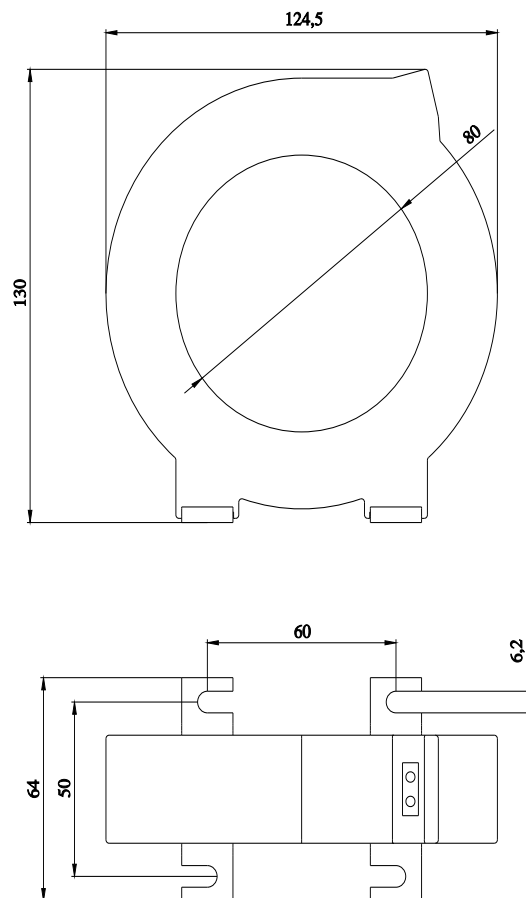
<https://support.automation.siemens.com/WW/CAXorder/default.aspx?lang=en&mlfb=3UL2304-1A>

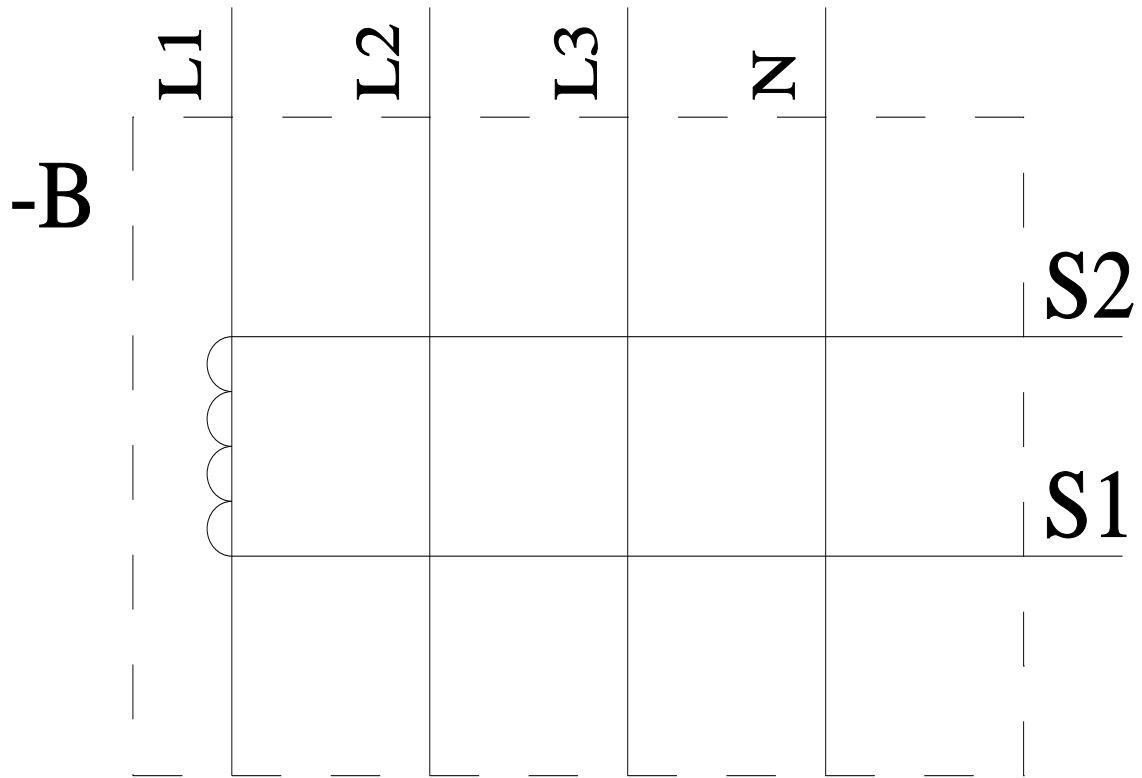
Service&Support (Manuals, Certificates, Characteristics, FAQs,...)

<https://support.industry.siemens.com/cs/ww/en/ps/3UL2304-1A>

Image database (product images, 2D dimension drawings, 3D models, device circuit diagrams, EPLAN macros, ...)

[https://www.automation.siemens.com/bilddb/cax\\_de.aspx?mlfb=3UL2304-1A&lang=en](https://www.automation.siemens.com/bilddb/cax_de.aspx?mlfb=3UL2304-1A&lang=en)





last modified:

10/22/2025 