

Terminal, spring-loaded terminal, fuse terminal with LED, 4 mm², black

Model	
product brand name	SENTRON
product designation	Terminal blocks
design of the product	fuse terminal
type of light source as defect indicator	LED
design of the fuse link	blade-type fuse
design of fuse holder	pluggable
General technical data	
insulation material	PA
terminal contact spacing	8.2 mm
Supply voltage	
operating voltage rated value	400 V
type of voltage for supply of the defect indicator	others
Protection class	
combustibility class according to UL 94	V0
Main circuit	
operational current rated value	30 A
Appearance	
color	black
Product details	
product component required end cover plate	No
Number	
number of terminal levels	1
Connections	
connectable conductor cross-section solid	
• minimum	0.08 mm ²
• maximum	0.08 mm ²
connectable conductor cross-section stranded	
• maximum	4 mm ²
connectable conductor cross-section finely stranded	
• with core end processing minimum	4 mm ²
• with core end processing maximum	4 mm ²
• without core end processing minimum	0.08 mm ²
• without core end processing maximum	4 mm ²
type of connection 1	spring-loaded terminals
type of connection 2	spring-loaded terminal
position of the terminal	top
Mechanical Design	
height with lowest-profile installation	86.5 mm
depth	44.05 mm
length	86.5 mm
fastening method	TH35 DIN rail
Net Weight	21 g
material of the insulating body	Other
Environmental conditions	
ambient temperature during operation	
• minimum	105 °C
• maximum	105 °C
Approvals Certificates	

Environment General Product Approval

[Environmental Confirmations](#)

[Environmental Confirmations](#)



[Confirmation](#)

General Product Approval other



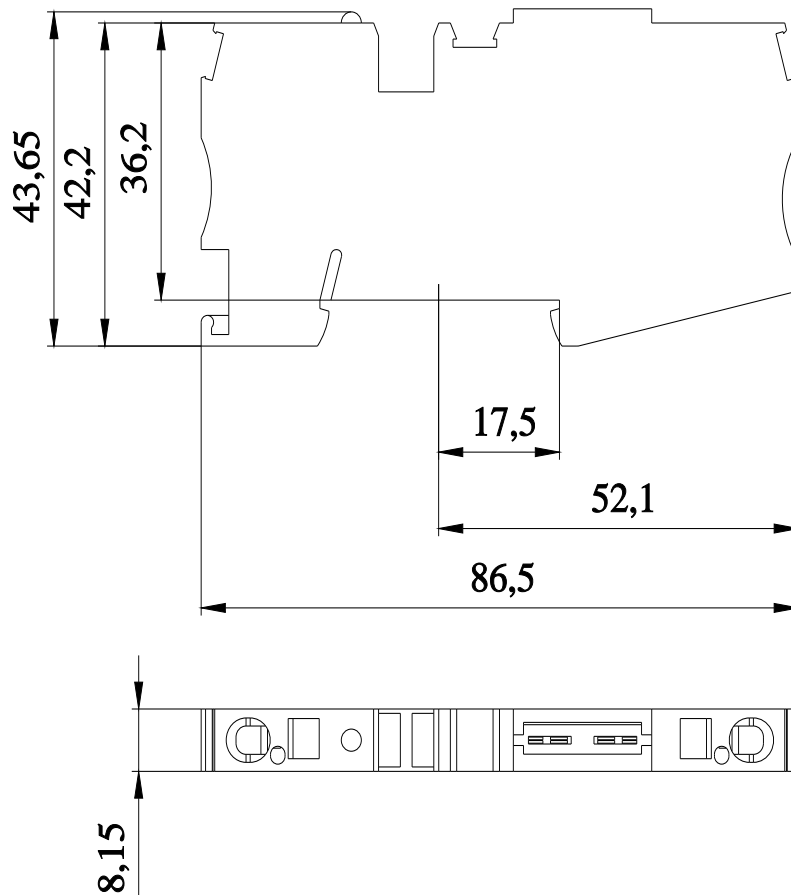
[Confirmation](#)



[Miscellaneous](#)

Further information

- Information on the packaging
<https://support.industry.siemens.com/cs/ww/en/view/109813875>
- Information for data generation and storage
<https://support.industry.siemens.com/cs/ww/en/view/109995012>
- Information- and Downloadcenter (Catalogs, Brochures,...)
<https://www.siemens.com/lowvoltage/catalogs>
- Industry Mall (Online ordering system)
<https://mall.industry.siemens.com/mall/en/en/Catalog/product?mlfb=8WH2000-1BG28>
- Service&Support (Manuals, Certificates, Characteristics, FAQs,...)
<https://support.industry.siemens.com/cs/ww/en/ps/8WH2000-1BG28>
- Image database (product images, 2D dimension drawings, 3D models, device circuit diagrams, ...)
https://www.automation.siemens.com/bilddb/cax_en.aspx?mlfb=8WH2000-1BG28
- CAx-Online-Generator
<https://www.siemens.com/cax>
- Tender specifications
<https://www.siemens.com/specifications>
- Characteristic curves
https://curves.simaris.siemens.com/curves/<mmp_prod_noCOMP='HAUPT'></mmp_prod_no>



last modified:

10/18/2025 