

Terminal, screw terminal, fuse terminal for inch fuse, 6 mm², black

Model	
product brand name	SENTRON
product designation	Terminal blocks
design of the product	fuse terminal
design of fuse holder	swivel
General technical data	
insulation material	PA
terminal contact spacing	8.2 mm
Supply voltage	
operating voltage rated value	500 V
Protection class	
combustibility class according to UL 94	V0
Main circuit	
operational current rated value	10 A
Appearance	
color	black
Product details	
product component required end cover plate	No
Number	
number of terminal levels	1
Connections	
connectable conductor cross-section solid	
• minimum	0.2 mm ²
• maximum	0.2 mm ²
connectable conductor cross-section stranded	
• minimum	0.2 mm ²
• maximum	0.2 mm ²
connectable conductor cross-section finely stranded	
• with core end processing minimum	6 mm ²
• with core end processing maximum	6 mm ²
• without core end processing minimum	0.2 mm ²
• without core end processing maximum	10 mm ²
type of connection 1	screw-type terminal
type of connection 2	screw-type terminal
position of the terminal	lateral
Mechanical Design	
height with lowest-profile installation	57.8 mm
depth	74.98 mm
length	58 mm
fastening method	TH35 DIN rail
Net Weight	25 g
material of the insulating body	PA
Environmental conditions	
ambient temperature during operation	
• minimum	105 °C
• maximum	105 °C
Approvals Certificates	
Environment	General Product Approval

other

[Confirmation](#)



[Miscellaneous](#)

Further information

Information on the packaging

<https://support.industry.siemens.com/cs/ww/en/view/109813875>

Information for data generation and storage

<https://support.industry.siemens.com/cs/ww/en/view/109995012>

Information- and Downloadcenter (Catalogs, Brochures,...)

<https://www.siemens.com/lowvoltage/catalogs>

Industry Mall (Online ordering system)

<https://mall.industry.siemens.com/mall/en/en/Catalog/product?mlfb=8WH1000-1HH08>

Service&Support (Manuals, Certificates, Characteristics, FAQs,...)

<https://support.industry.siemens.com/cs/ww/en/ps/8WH1000-1HH08>

Image database (product images, 2D dimension drawings, 3D models, device circuit diagrams, ...)

https://www.automation.siemens.com/bilddb/cax_en.aspx?mlfb=8WH1000-1HH08

CAX-Online-Generator

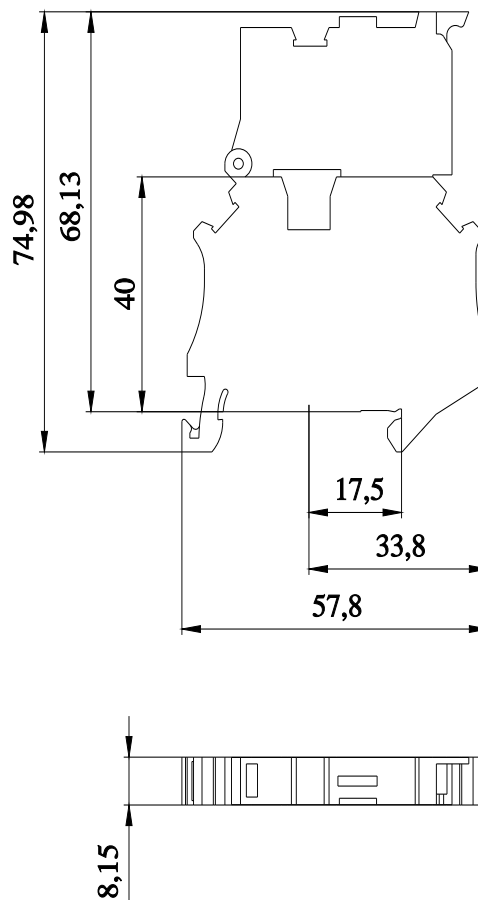
<https://www.siemens.com/cax>

Tender specifications

<https://www.siemens.com/specifications>

Characteristic curves

[https://curves.simaris.siemens.com/curves/<mmp_prod_noCOMP="HAUPT"></mmp_prod_no>](https://curves.simaris.siemens.com/curves/<mmp_prod_noCOMP=)



last modified:

5/9/2025 